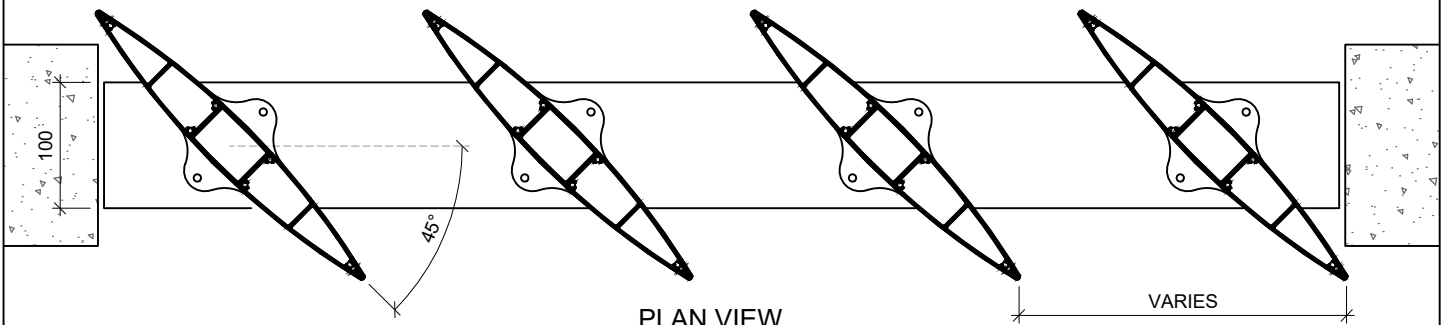
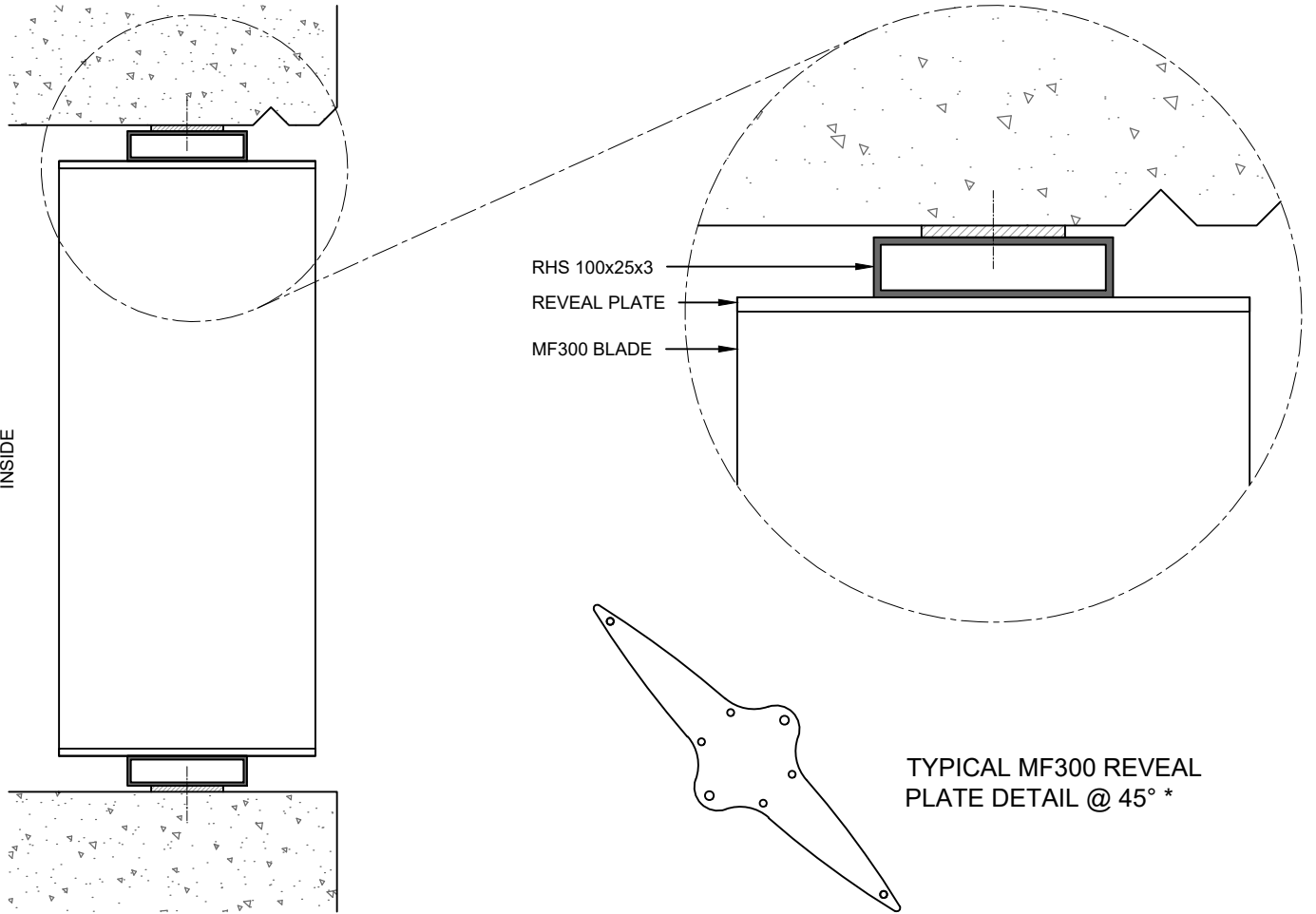


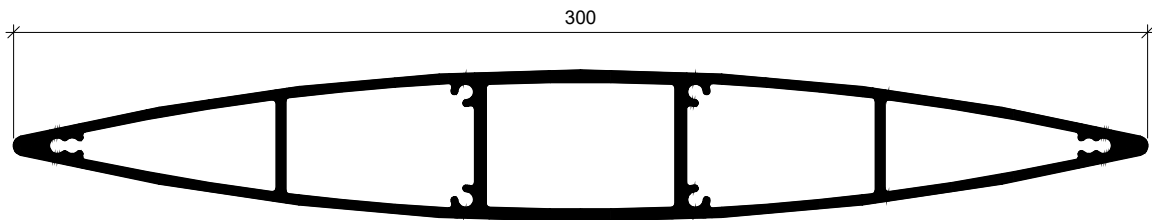
INSIDE



PLAN VIEW
 (BLADES MOUNTED VERTICALLY)
 (FINS CAN BE IN OPPOSITE DIRECTION AS SHOWN)



SECTION



MF300 BLADE

* REVEAL PLATE DESIGN DEPENDS ON PROJECT / SITE REQUIREMENTS

**MF300 MAXIM ELLIPTICAL FINS
 FIXED WITH RHS + REVEAL PLATE - REVEAL FIX**

FINS CAN ALSO BE MOUNTED HORIZONTALLY
 ALSO AVAILABLE FOR 150, 200, 400, 600, 800

www.maximlouvres.com.au

maxim®
louvres

DWG No.: MF300 RHS + RP - RF
 DWG Date: 30.07.2024 - R01