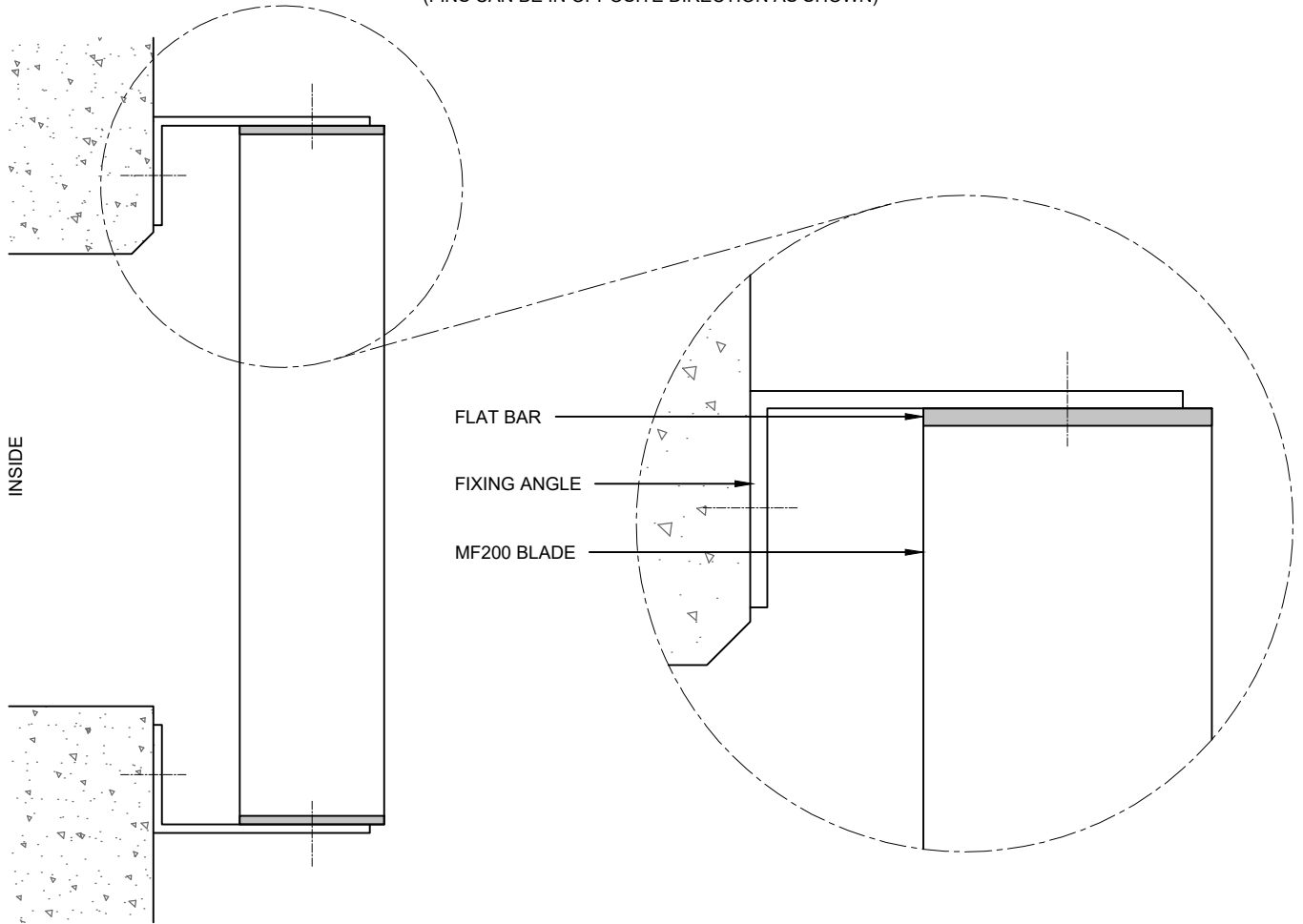


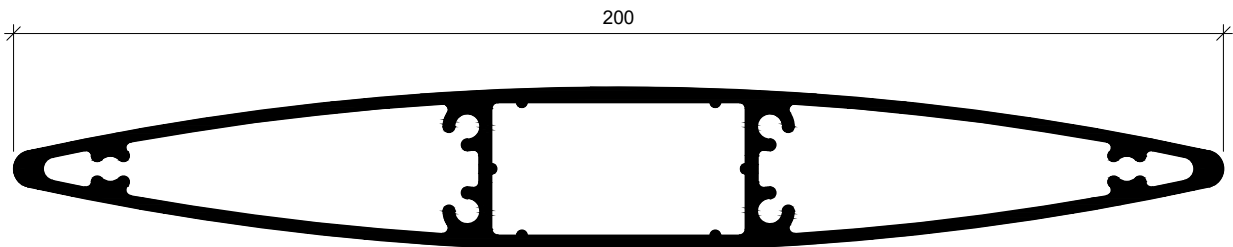
**OPTION:**  
 FLAT BAR 100x6  
 BLADE @ 28° OR LESS

**PLAN VIEW**  
 (BLADES MOUNTED VERTICALLY)  
 (FINS CAN BE IN OPPOSITE DIRECTION AS SHOWN)

**OPTION:**  
 FLAT BAR 150x6  
 BLADE @ 45° OR LESS



**SECTION**



**MF200 BLADE**

**MF200 MAXIM ELLIPTICAL FINS  
 FIXED WITH FLAT BAR - FACE FIX**

FINS CAN ALSO BE MOUNTED HORIZONTALLY  
 ALSO AVAILABLE FOR 90, 150, 300

www.maximlouvres.com.au <sup>®</sup>  
**maxim**  
 louvres  
 DWG No.: MF200 Flat Bar - FF  
 DWG Date: 30.07.2024 - R01