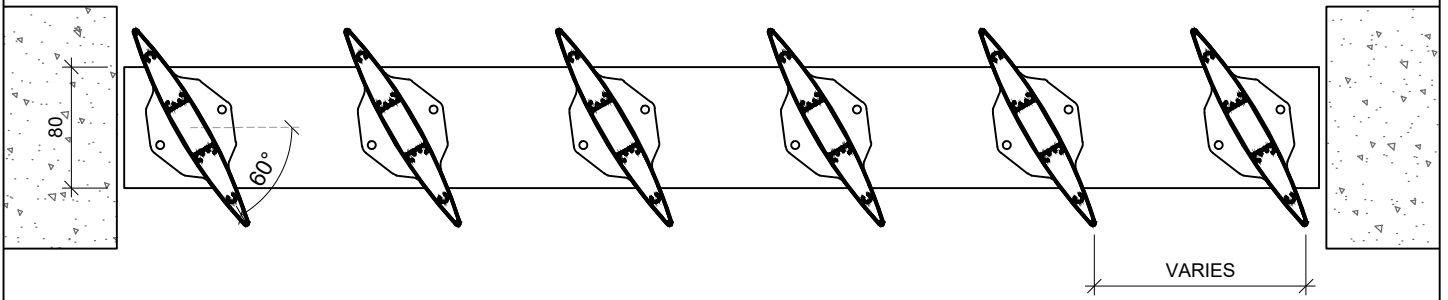
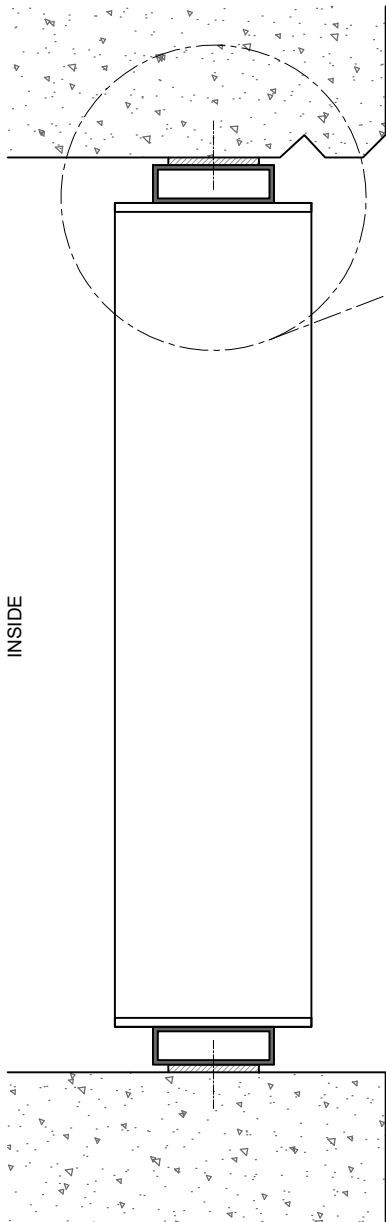


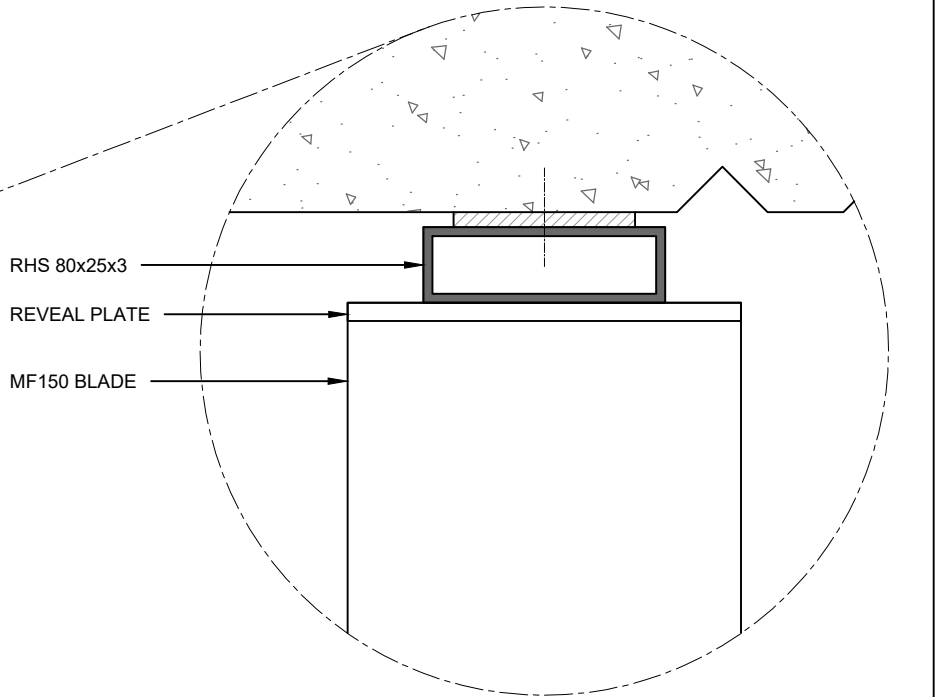
INSIDE



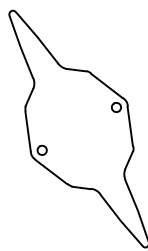
PLAN VIEW
 (BLADES MOUNTED VERTICALLY)
 (FINS CAN BE IN OPPOSITE DIRECTION AS SHOWN)



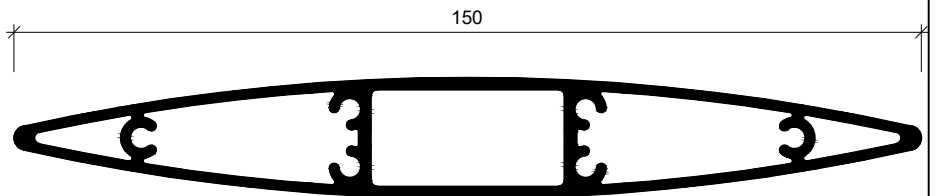
SECTION



RHS 80x25x3
 REVEAL PLATE
 MF150 BLADE



TYPICAL MF150 REVEAL
 PLATE DETAIL @ 60° *



MF150 BLADE

* REVEAL PLATE DESIGN DEPENDS ON PROJECT / SITE REQUIREMENTS

**MF150 MAXIM ELLIPTICAL FINS
 FIXED WITH RHS + REVEAL PLATE - REVEAL FIX**

FINS CAN ALSO BE MOUNTED HORIZONTALLY
 ALSO AVAILABLE FOR 200, 300, 400, 600, 800

www.maximlouvres.com.au



DWG No.: MF150 RHS + RP - RF
 DWG Date: 30.07.2024 - R01