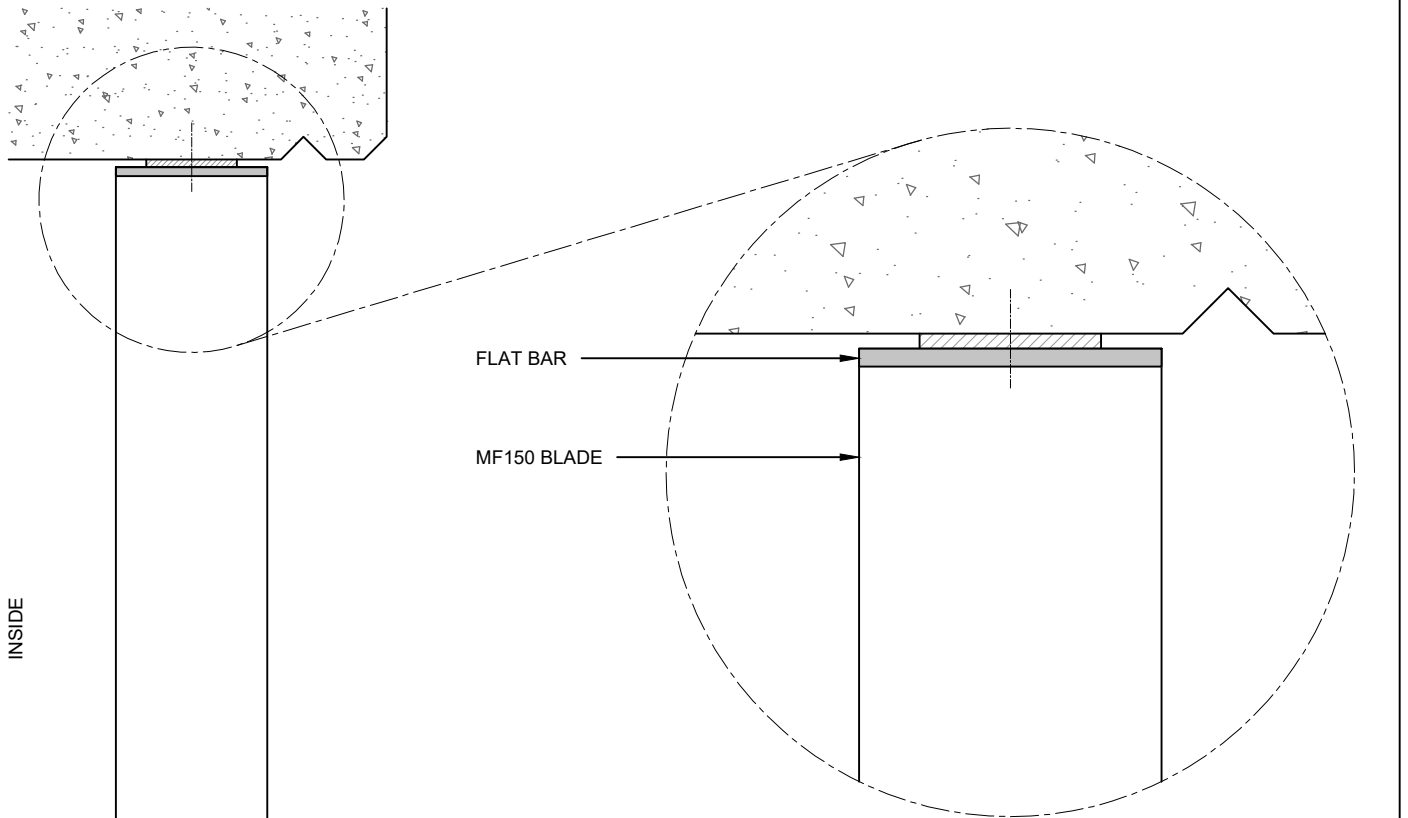


**OPTION:**  
 FLAT BAR 100x6  
 BLADE @ 40° OR LESS

**PLAN VIEW**  
 (BLADES MOUNTED VERTICALLY)  
 (FINS CAN BE IN OPPOSITE DIRECTION AS SHOWN)

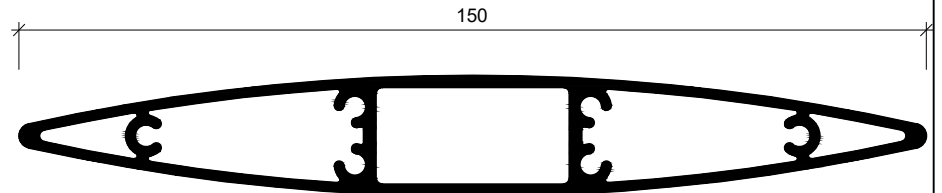
**OPTION:**  
 FLAT BAR 150x6  
 BLADE @ ANY ANGLE



FLAT BAR

MF150 BLADE

INSIDE



**MF150 BLADE**

**MF150 MAXIM ELLIPTICAL FINS  
 FIXED WITH FLAT BAR - REVEAL FIX**

FINS CAN ALSO BE MOUNTED HORIZONTALLY  
 ALSO AVAILABLE FOR 90, 200, 300

[www.maximlouvres.com.au](http://www.maximlouvres.com.au)



DWG No.: MF150 Flat Bar - RF  
 DWG Date: 30.07.2024 - R01