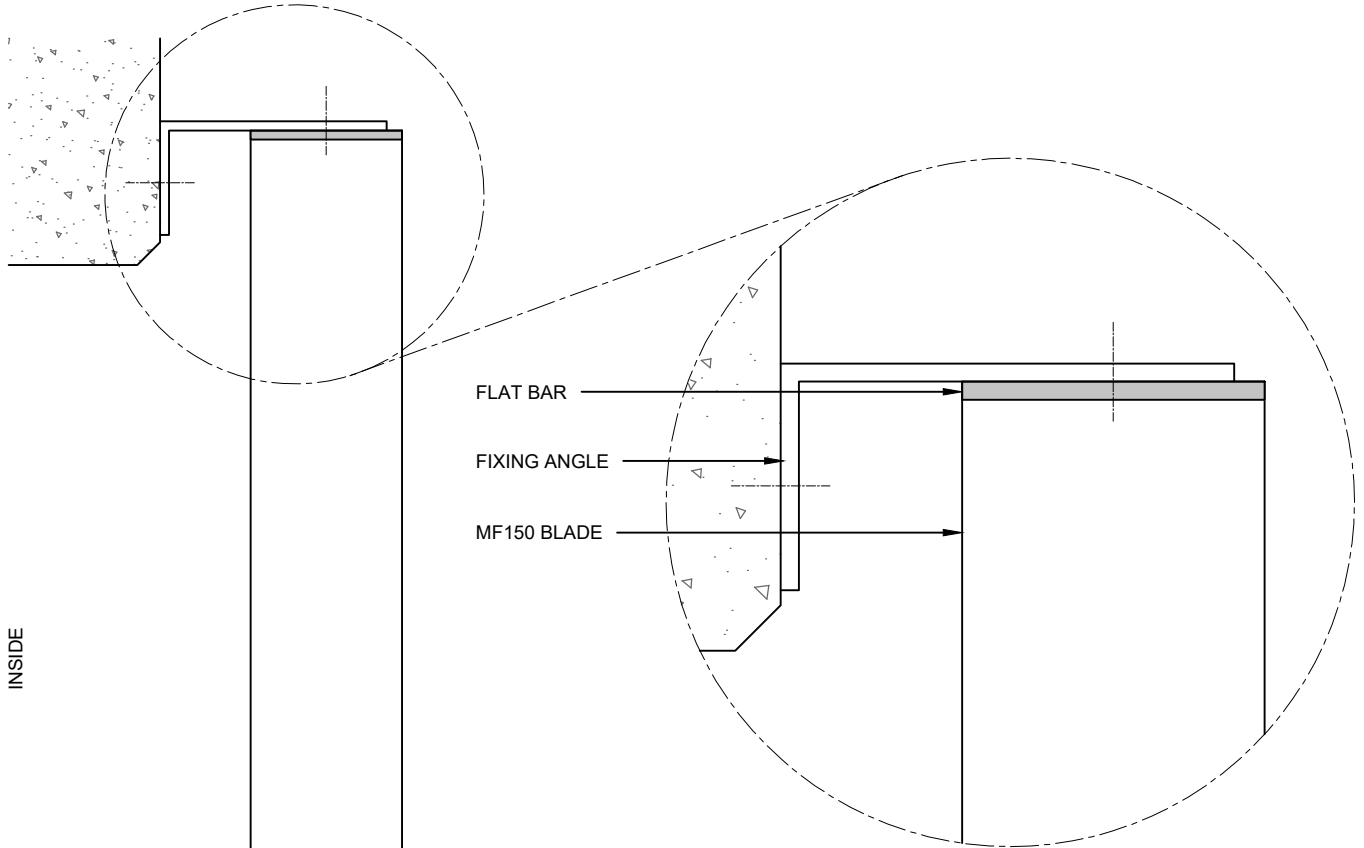


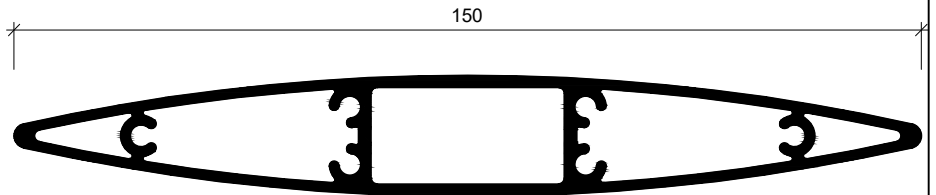
OPTION:
 FLAT BAR 100x6
 BLADE @ 40° OR LESS

PLAN VIEW
 (BLADES MOUNTED VERTICALLY)
 (FINS CAN BE IN OPPOSITE DIRECTION AS SHOWN)

OPTION:
 FLAT BAR 150x6
 BLADE @ ANY ANGLE



SECTION



MF150 BLADE

**MF150 MAXIM ELLIPTICAL FINS
 FIXED WITH FLAT BAR - FACE FIX**

FINS CAN ALSO BE MOUNTED HORIZONTALLY
 ALSO AVAILABLE FOR 90, 200, 300

www.maximlouvres.com.au



DWG No.: MF150 Flat Bar - FF
 DWG Date: 30.07.2024 - R01