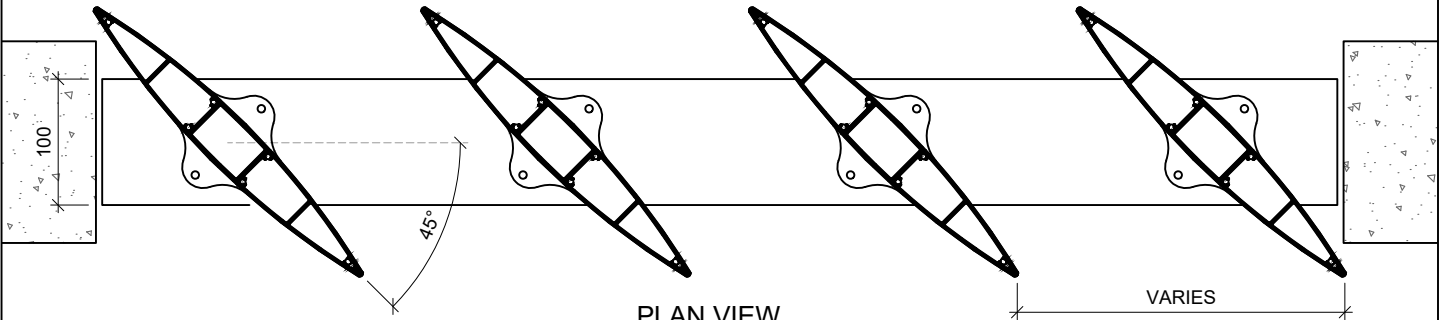
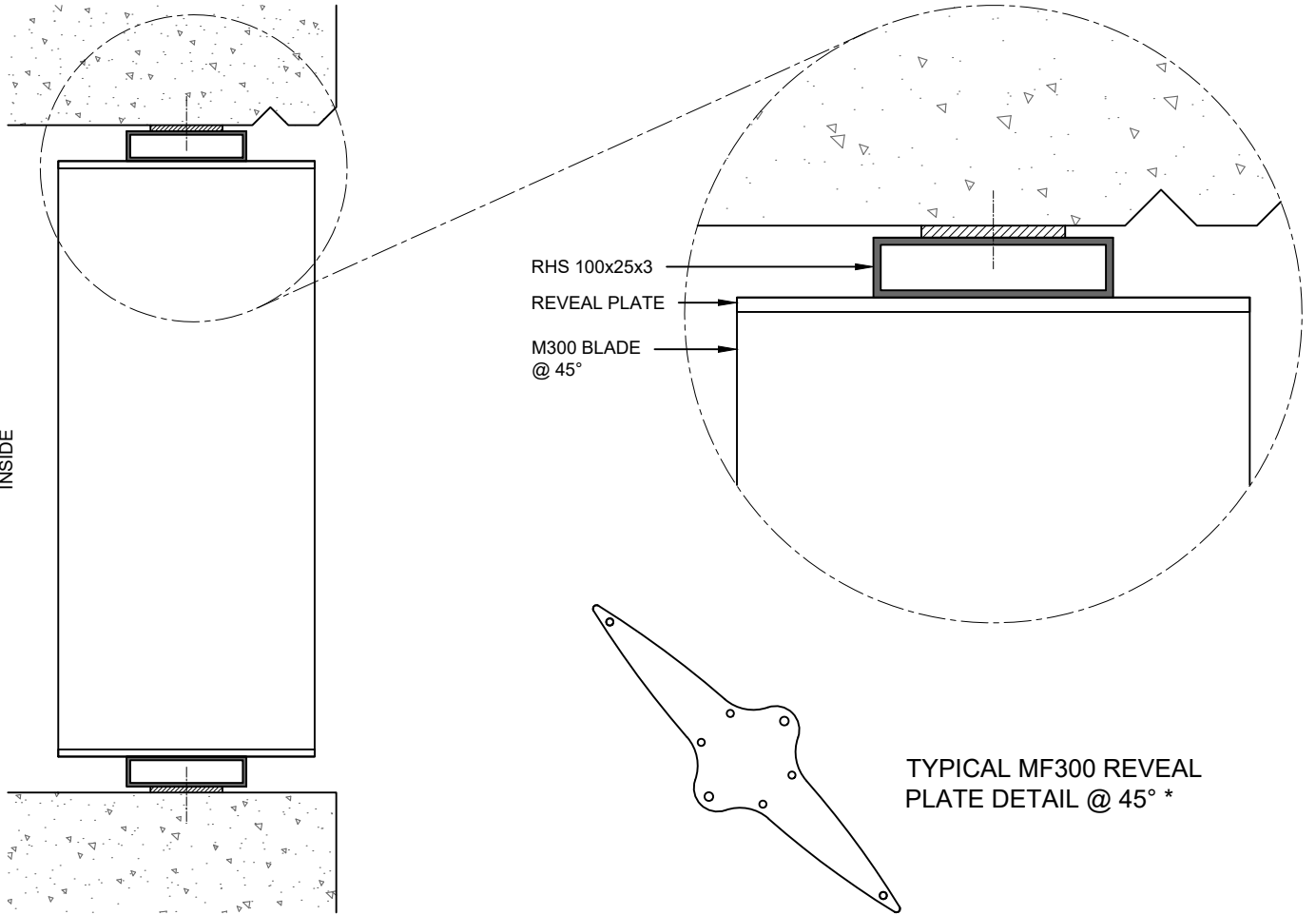


INSIDE



PLAN VIEW

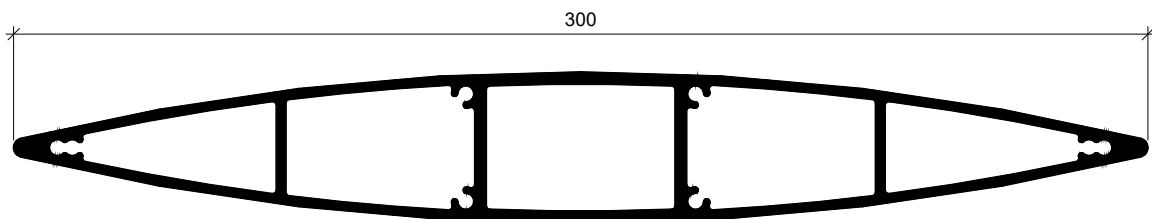
(BLADES MOUNTED VERTICALLY)
(FINS CAN BE IN OPPOSITE DIRECTION AS SHOWN)



RHS 100x25x3
REVEAL PLATE
M300 BLADE
@ 45°

TYPICAL MF300 REVEAL
PLATE DETAIL @ 45° *

SECTION



MF300 BLADE

* REVEAL PLATE DESIGN DEPENDS ON PROJECT / SITE REQUIREMENTS

**MF300 MAXIM ELLIPTICAL FINS
FIXED WITH RHS + REVEAL PLATE - REVEAL FIX**

FINS CAN ALSO BE MOUNTED HORIZONTALLY
ALSO AVAILABLE FOR 150, 200, 400, 600, 800

www.maximlouvres.com.au

maxim®
louvres

DWG No.: MF300 RHS + RP - RF
DWG Date: 19.02.2024