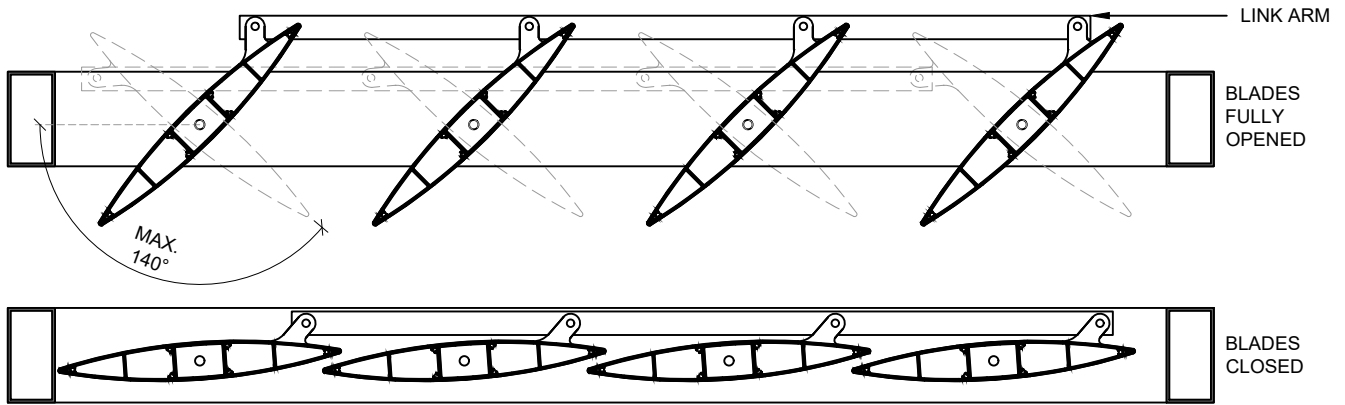
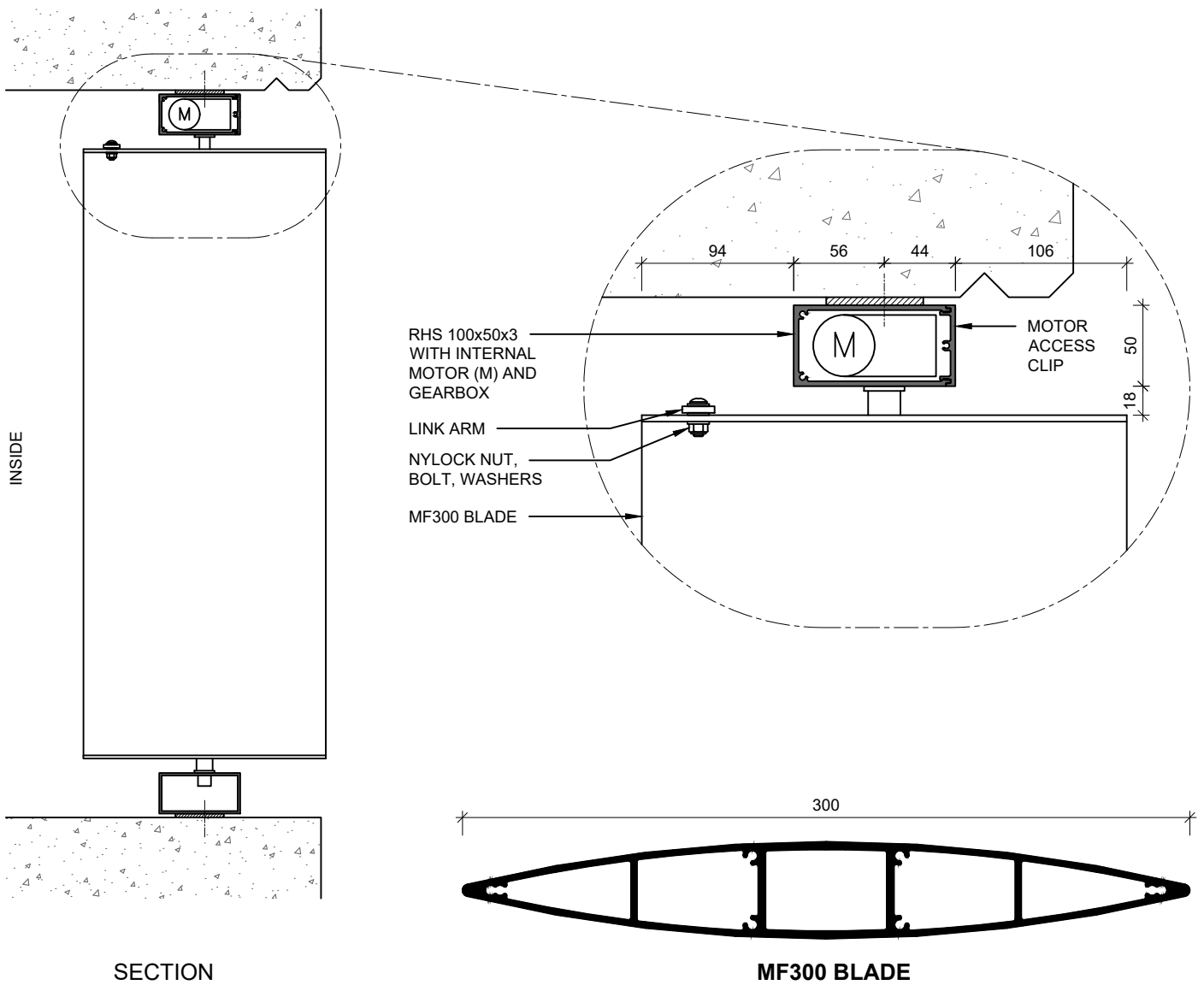


INSIDE



PLAN VIEW
 (BLADES MOUNTED VERTICALLY)
 (FINS CAN BE IN OPPOSITE DIRECTION AS SHOWN)



**MF300 MAXIM ELLIPTICAL FINS
 MOTORISED - REVEAL FIX**

FINS CAN ALSO BE MOUNTED HORIZONTALLY
 ALSO AVAILABLE FOR 150, 200, 400

www.maximlouvres.com.au

maxim [®]
 louvres

DWG No.: MF300 Motorised - RF
 DWG Date: 19.02.2024