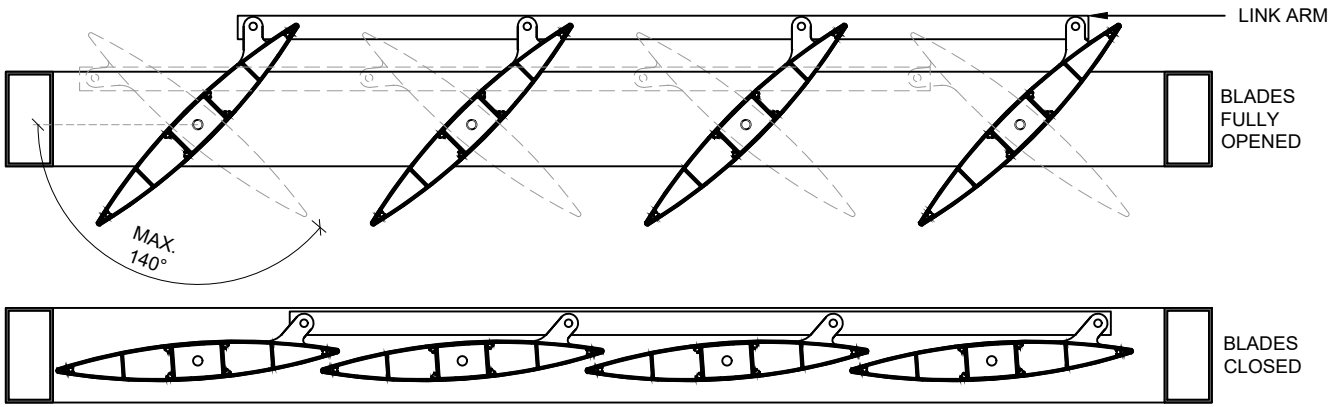
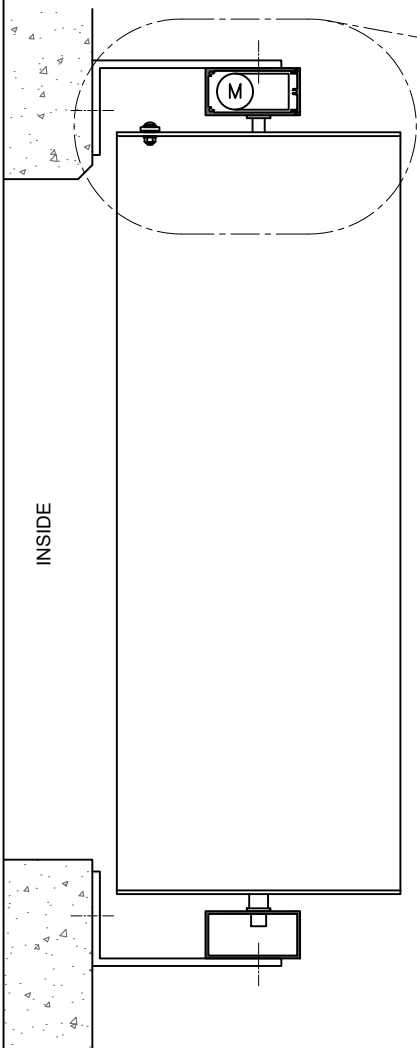


INSIDE



PLAN VIEW  
 (BLADES MOUNTED VERTICALLY)  
 (FINS CAN BE IN OPPOSITE DIRECTION AS SHOWN)



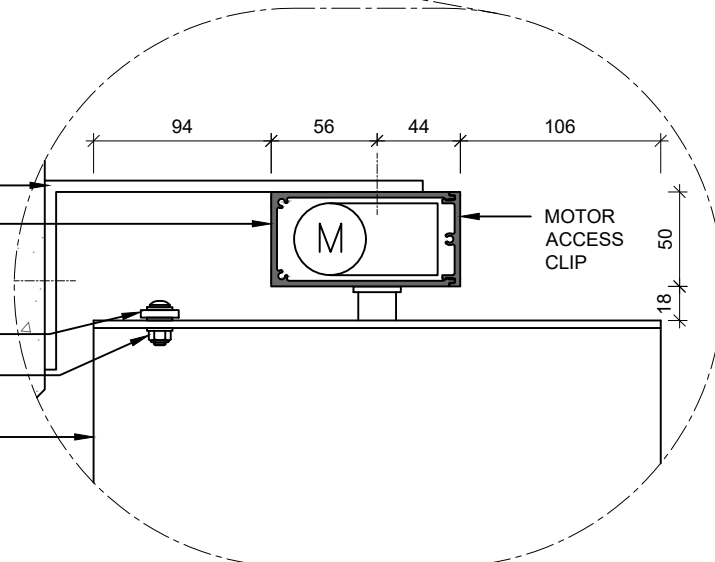
FIXING ANGLE

RHS 100x50x3 WITH INTERNAL MOTOR (M) AND GEARBOX

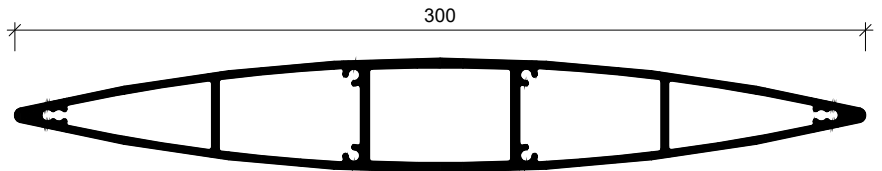
LINK ARM

NYLOCK NUT, BOLT, WASHERS

MF300 BLADE



SECTION



MF300 BLADE

**MF300 MAXIM ELLIPTICAL FINS  
 MOTORISED - FACE FIX**

FINS CAN ALSO BE MOUNTED HORIZONTALLY  
 ALSO AVAILABLE FOR 150, 200, 400

www.maximlouvres.com.au

**maxim** <sup>®</sup>  
 louvres

DWG No.: MF300 Motorised - FF  
 DWG Date: 19.02.2024