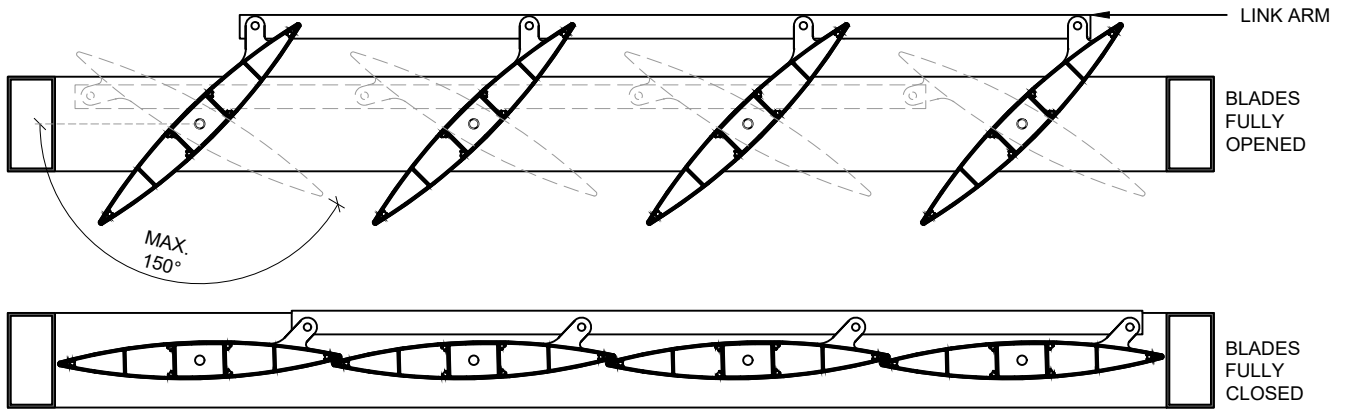


INSIDE

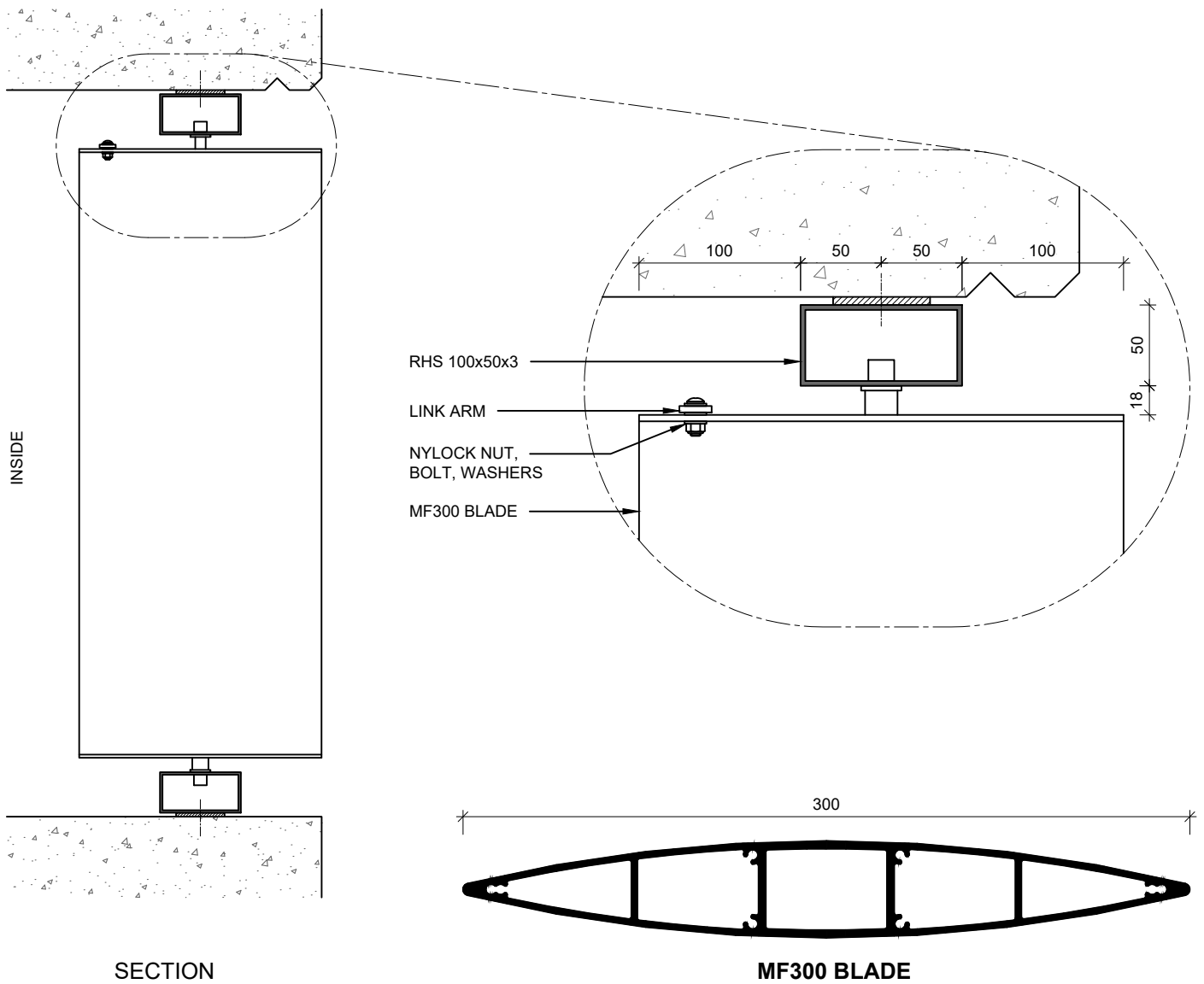


MAX.  
150°

BLADES  
FULLY  
OPENED

BLADES  
FULLY  
CLOSED

**PLAN VIEW**  
(BLADES MOUNTED VERTICALLY)  
(FINS CAN BE IN OPPOSITE DIRECTION AS SHOWN)



INSIDE

RHS 100x50x3

LINK ARM

NYLOCK NUT,  
BOLT, WASHERS

MF300 BLADE

SECTION

MF300 BLADE

**MF300 MAXIM ELLIPTICAL FINS  
MANUALLY OPERABLE - REVEAL FIX**

FINS CAN ALSO BE MOUNTED HORIZONTALLY  
ALSO AVAILABLE FOR 150, 200, 400, 600

[www.maximlouvres.com.au](http://www.maximlouvres.com.au)

**maxim** <sup>®</sup>  
louvres

DWG No.: MF300 Man. Oper. - RF  
DWG Date: 19.02.2024