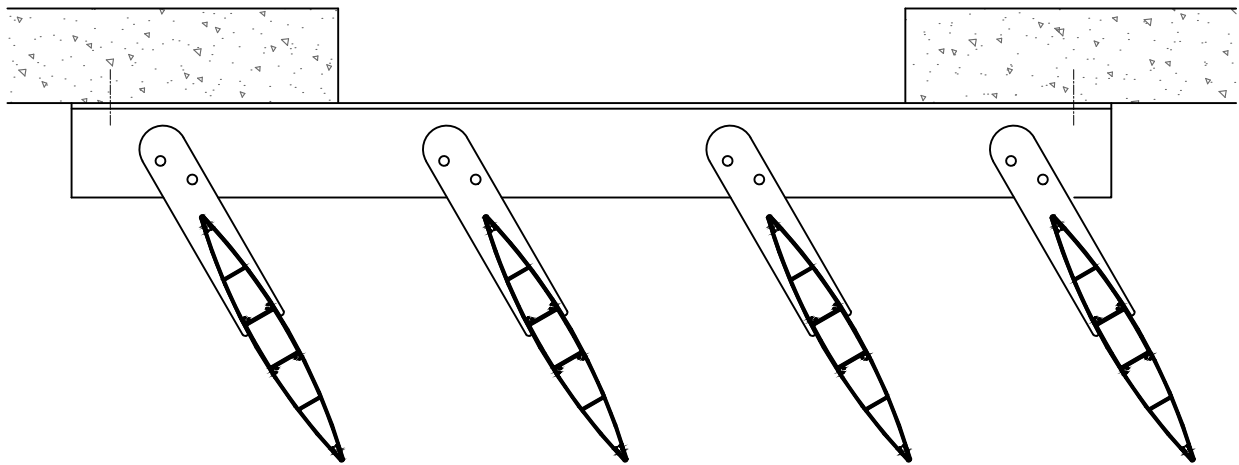
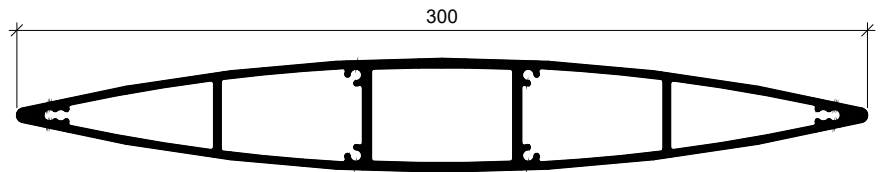
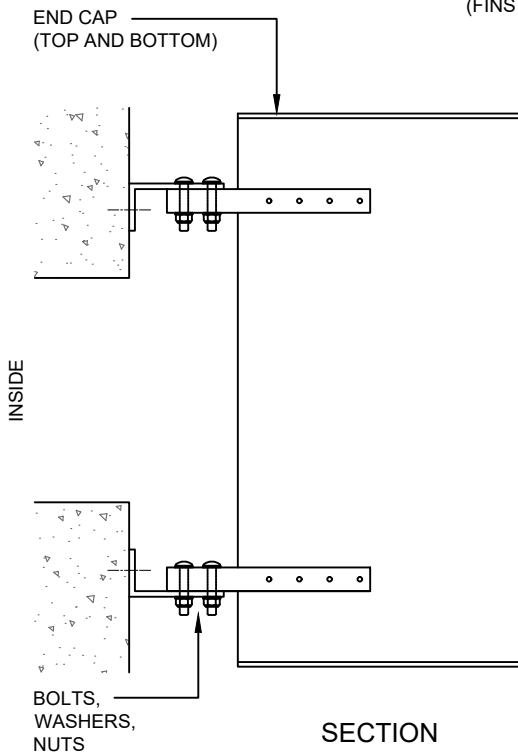


PLAN VIEW  
 (MF300 WITH **TEARDROP BRACKET \***)  
 (FINS CAN BE IN OPPOSITE DIRECTION AS SHOWN)



PLAN VIEW  
 (MF300 WITH **FORK BRACKET \***)  
 (FINS CAN BE IN OPPOSITE DIRECTION AS SHOWN)



MF300 BLADE

**MF300 MAXIM ELLIPTICAL FINS  
 CONTINUOUS WITH ANGLE BRACKET**

FINS CAN ALSO BE MOUNTED HORIZONTALLY  
 ALSO AVAILABLE FOR 150, 200, 400, 600

\* BRACKET TYPE DEPENDS ON PROJECT / SITE REQUIREMENTS

[www.maximlouvres.com.au](http://www.maximlouvres.com.au)

**maxim**®  
 louvres

DWG No.: MF300 Continuous - FF  
 DWG Date: 19.02.2024