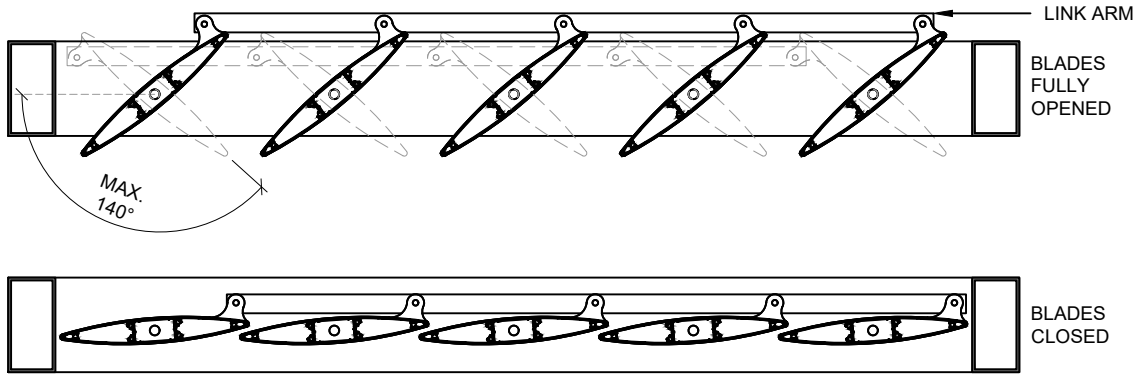
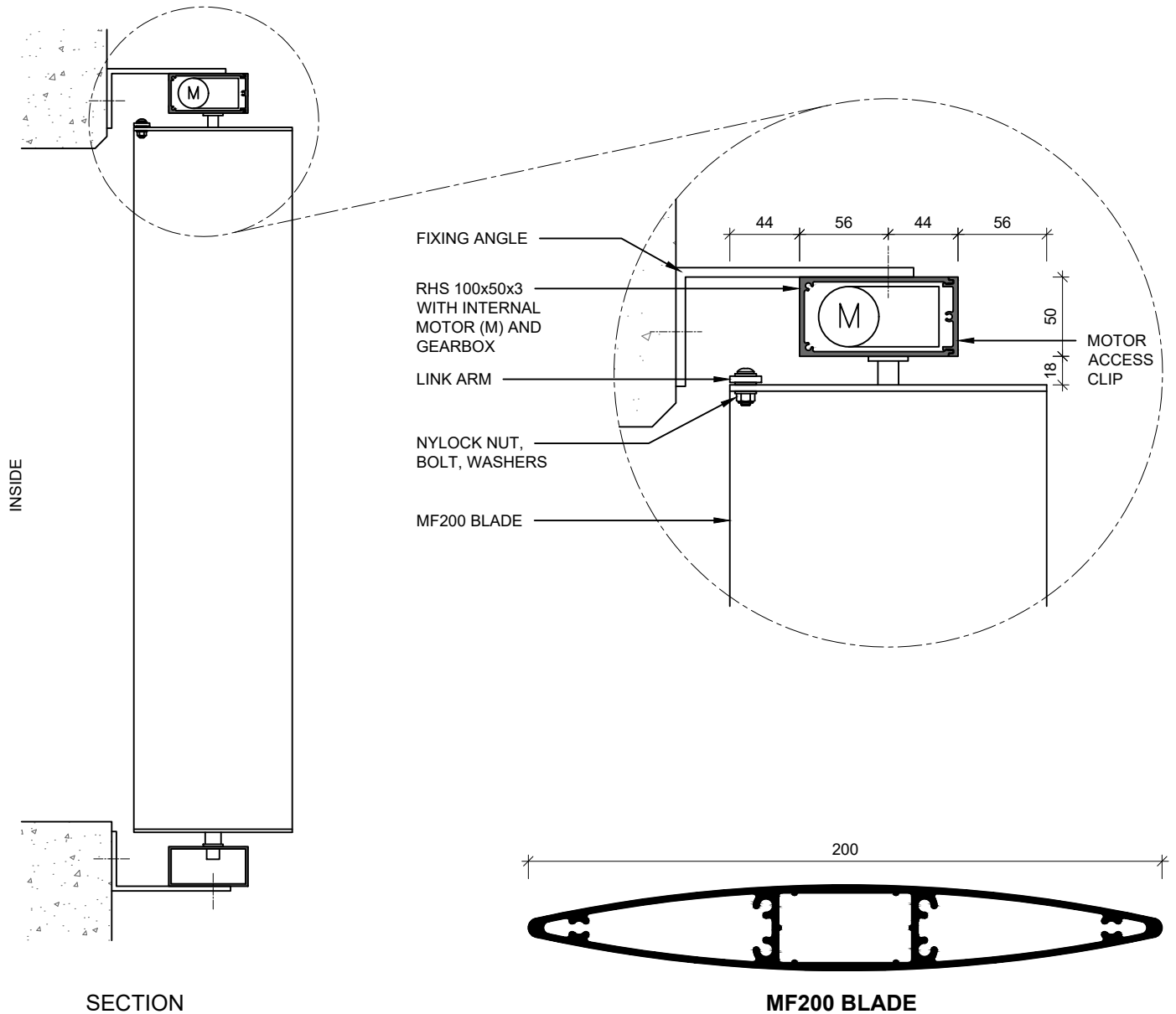


INSIDE



**PLAN VIEW**  
 (BLADES MOUNTED VERTICALLY)  
 (FINS CAN BE IN OPPOSITE DIRECTION AS SHOWN)



INSIDE

SECTION

MF200 BLADE

**MF200 MAXIM ELLIPTICAL FINS  
 MOTORISED - FACE FIX**

FINS CAN ALSO BE MOUNTED HORIZONTALLY  
 ALSO AVAILABLE FOR 150, 300, 400

[www.maximlouvres.com.au](http://www.maximlouvres.com.au)

**maxim**<sup>®</sup>  
 louvres

DWG No.: MF200 Motorised - FF  
 DWG Date: 19.02.2024