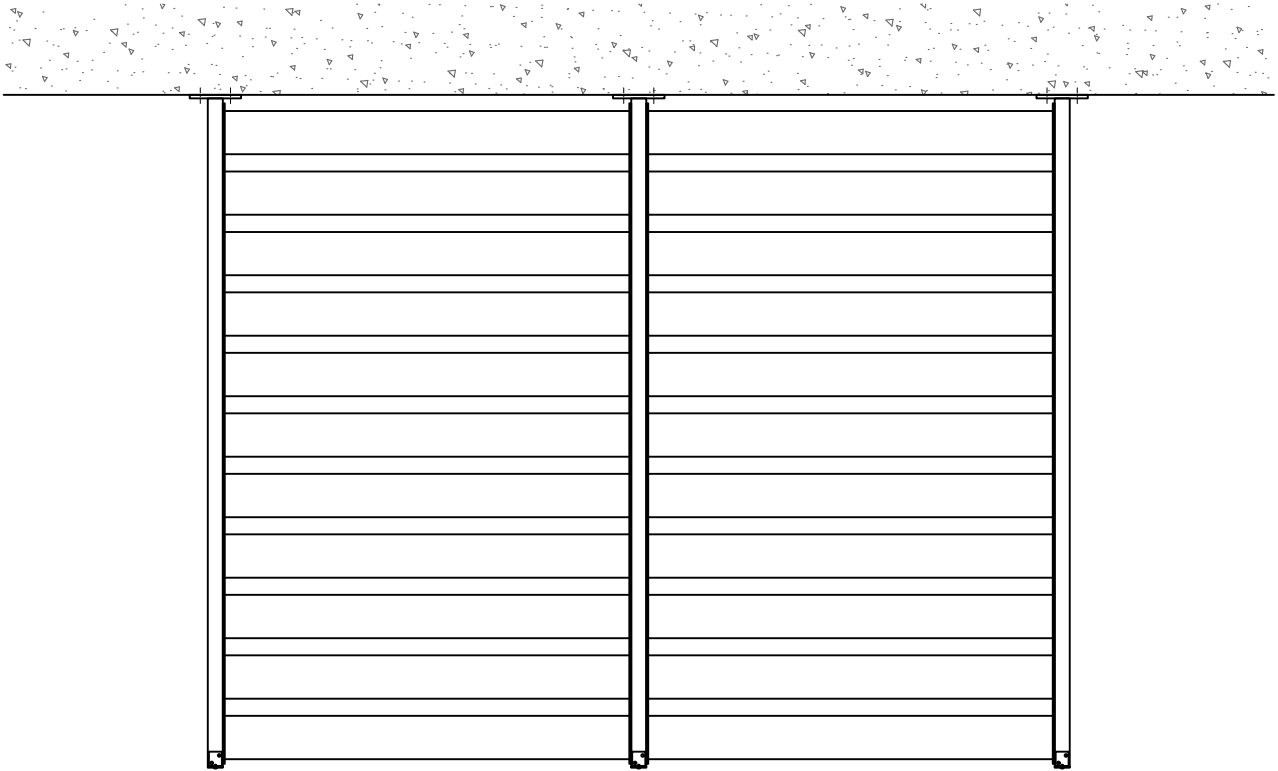
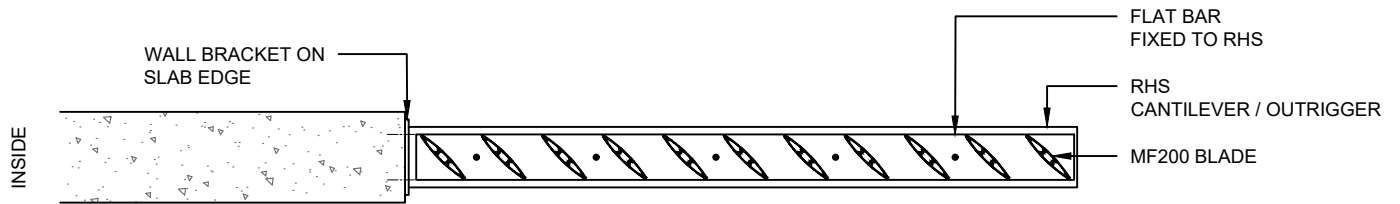


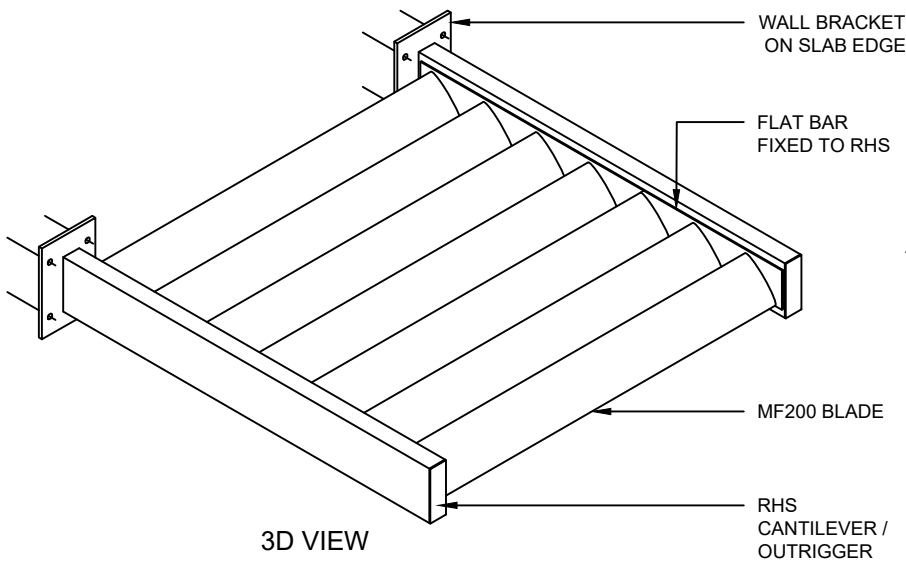
INSIDE



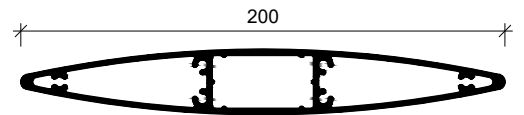
PLAN VIEW



SECTION



3D VIEW



MF200 BLADE

**MF200 MAXIM AWNING
CANTILEVERED WITH WALL BRACKET**

ALSO AVAILABLE FOR 90, 150, 300

www.maximlouvres.com.au

maxim®
louvres

DWG No.: MF200 Awning
DWG Date: 19.02.2024