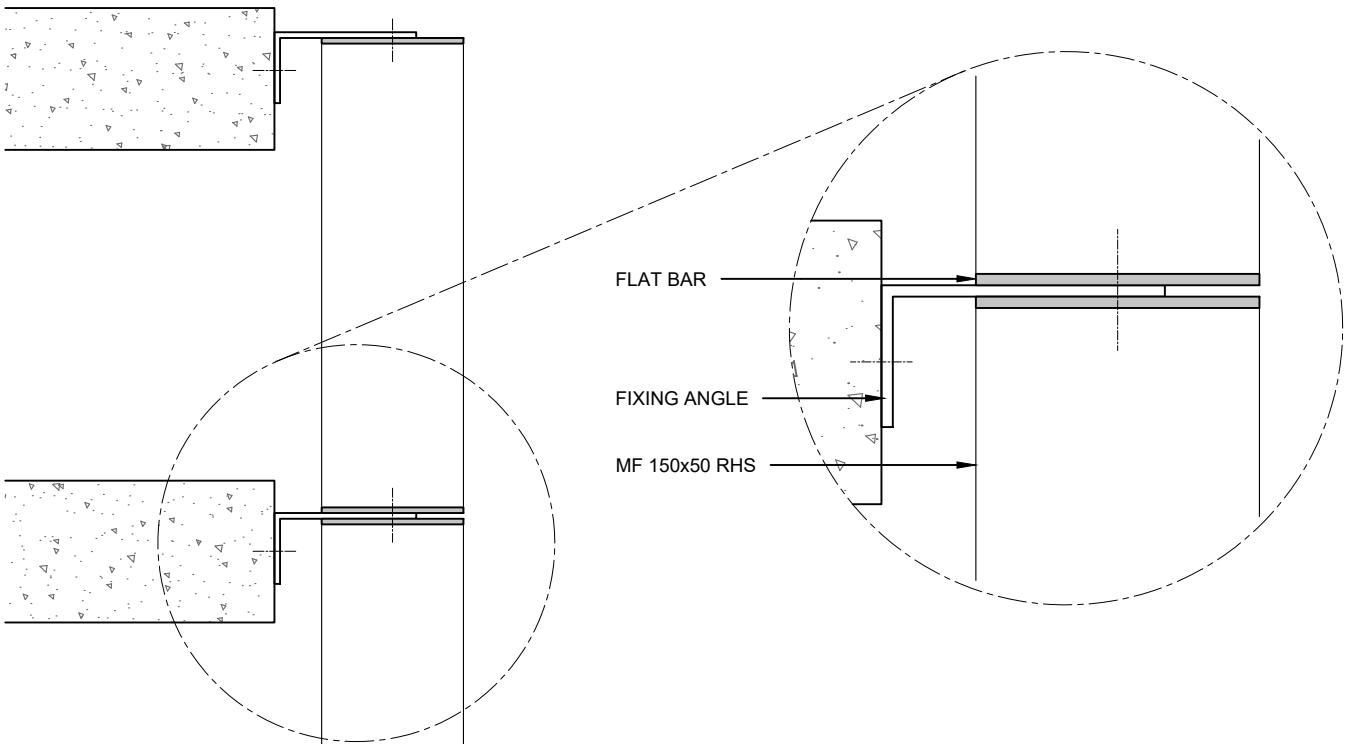
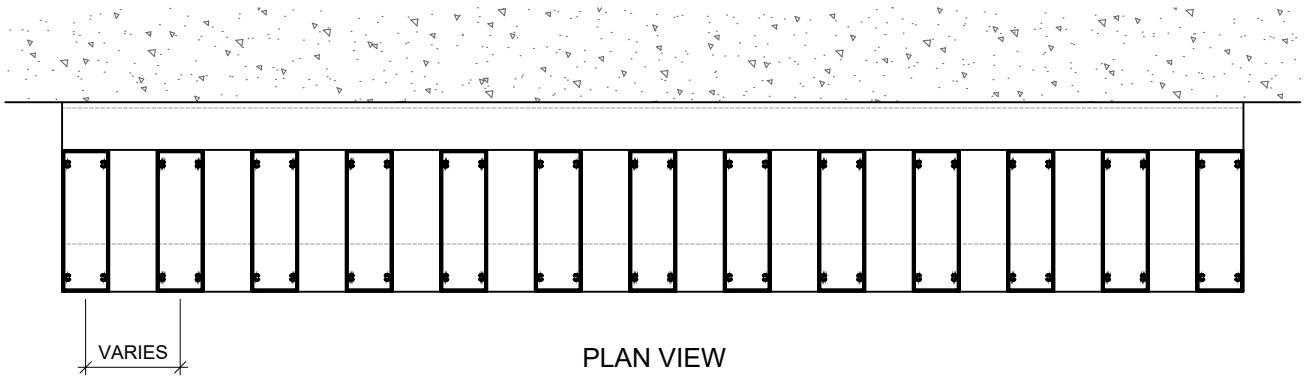


INSIDE



MF150x50 RHS

**MF150x50 MAXIM RHS BATTEN
FIXED WITH ANGLE BRACKET + FLAT BAR
FACE FIX**

ALSO AVAILABLE FOR 50x50, 100x50 & 200x50

www.maximlouvres.com.au

maxim®
louvres

DWG No.: MF150 RHS Rec. - FF
DWG Date: 19.02.2024