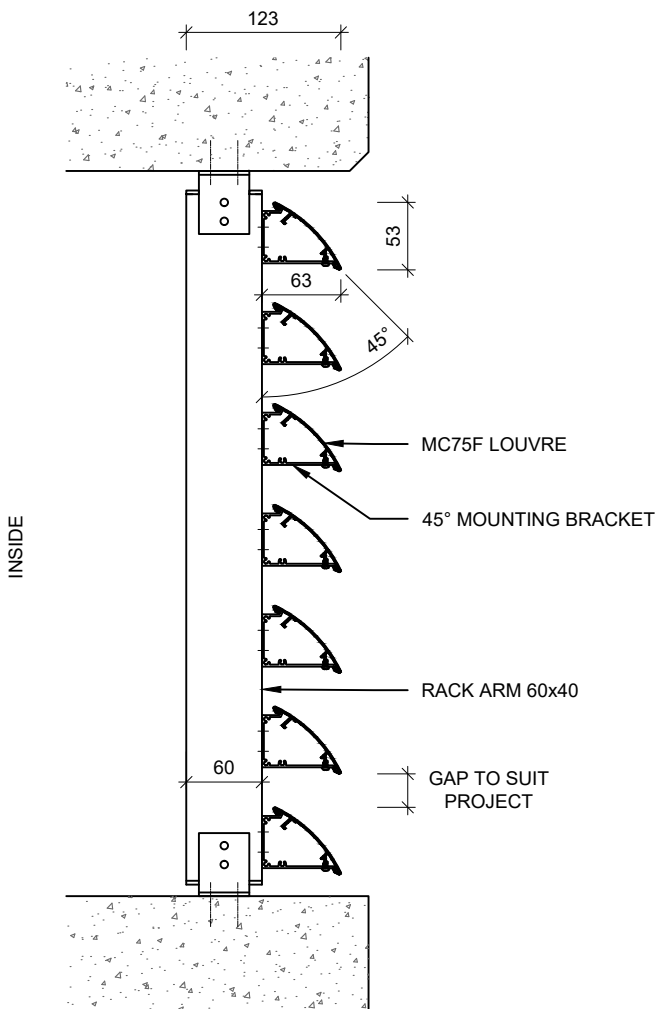
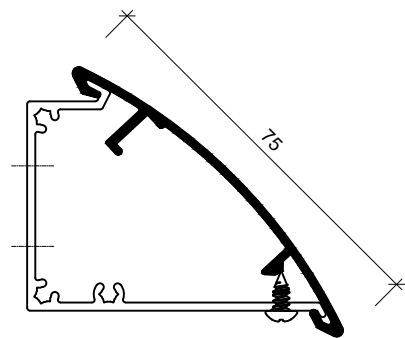


PLAN VIEW
(LOUVRES INSIDE REVEAL)



SECTION



MC75F LOUVRE
(WITH 45° MOUNTING BRACKET)

FIXING BRACKETS AND FIXINGS VARY ACCORDING TO LOCATION AND WIND LOADS

**MC75F MAXIM CONTINUOUS FIXED LOUVRES
AT 45° TO RACK ARM
REVEAL FIX**

www.maximlouvres.com.au



DWG No.: MC75 Fixed 45° - RF
DWG Date: 19.02.2024