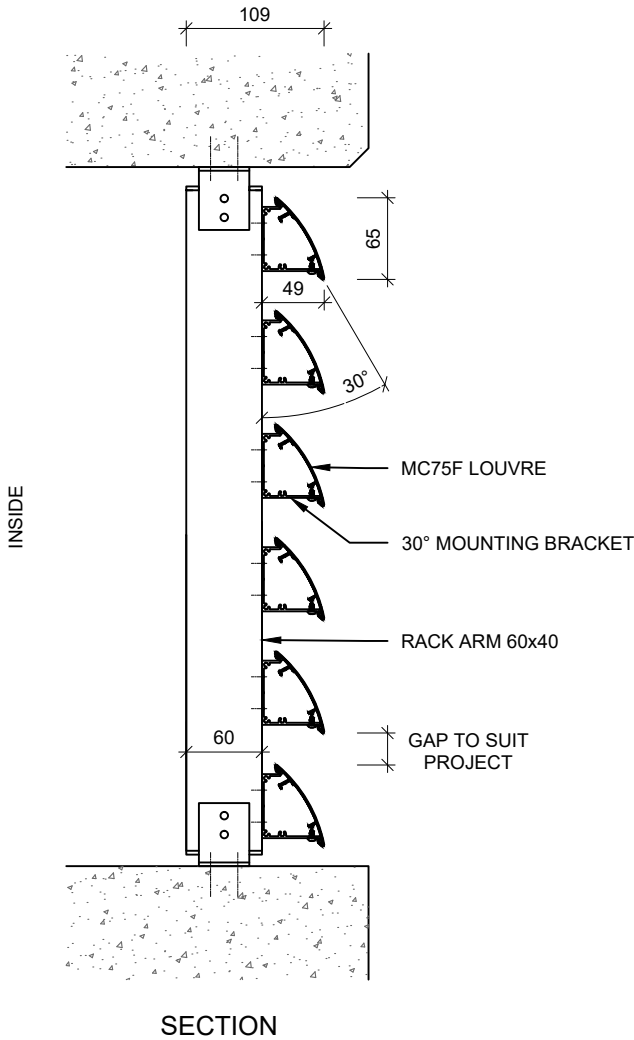
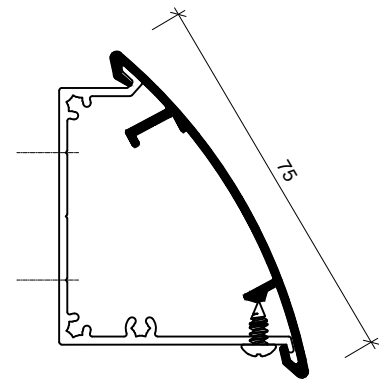


PLAN VIEW
(LOUVRES INSIDE REVEAL)



SECTION



MC75F LOUVRE
(WITH 30° MOUNTING BRACKET)

FIXING BRACKETS AND FIXINGS VARY ACCORDING TO LOCATION AND WIND LOADS

**MC75F MAXIM CONTINUOUS FIXED LOUVRES
AT 30° TO RACK ARM
REVEAL FIX**

www.maximlouvres.com.au

maxim [®]
louvres

DWG No.: MC75 Fixed 30° - RF
DWG Date: 19.02.2024