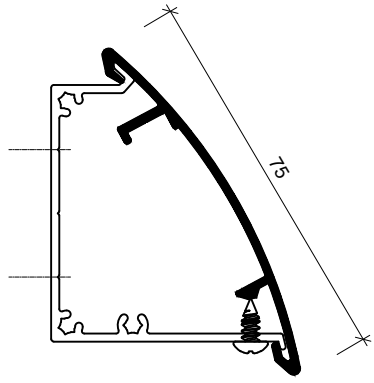
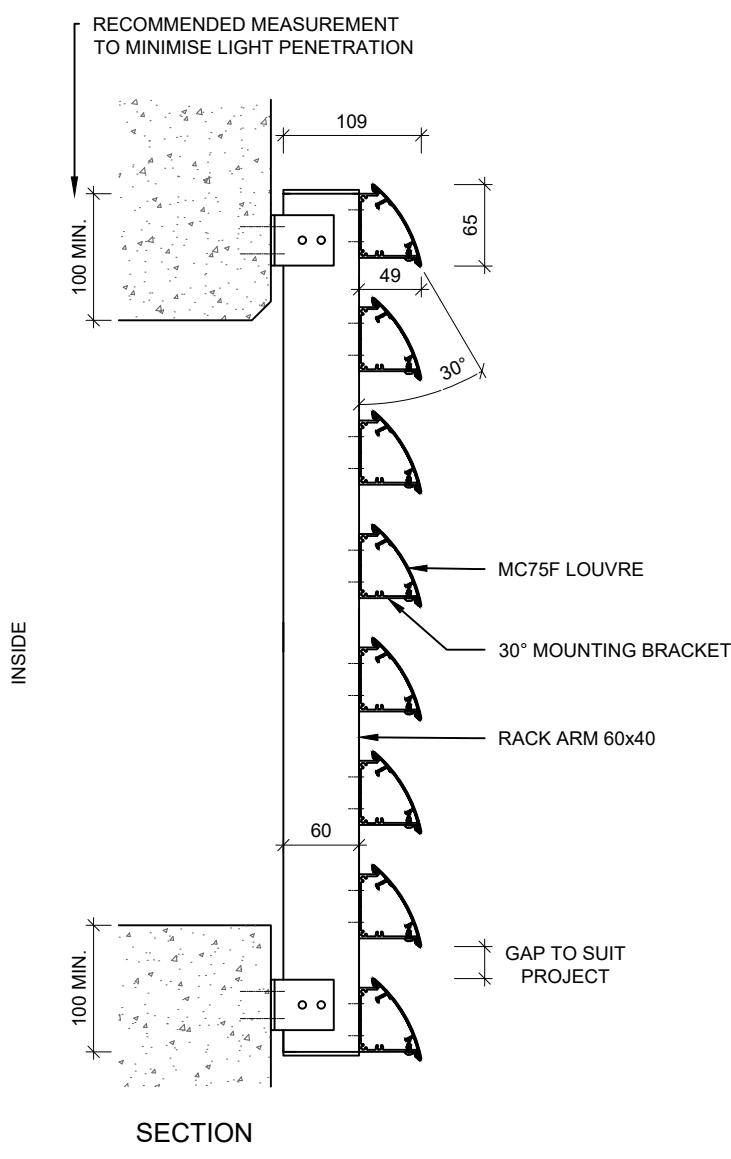


PLAN VIEW



MC75F LOUVRE
(WITH 30° MOUNTING BRACKET)

FIXING BRACKETS AND FIXINGS VARY ACCORDING TO LOCATION AND WIND LOADS

**MC75F MAXIM CONTINUOUS FIXED LOUVRES
AT 30° TO RACK ARM
FACE FIX**

www.maximlouvres.com.au [®]

maxim

DWG No.: MC75 Fixed 30° - FF
DWG Date: 19.02.2024

louvres