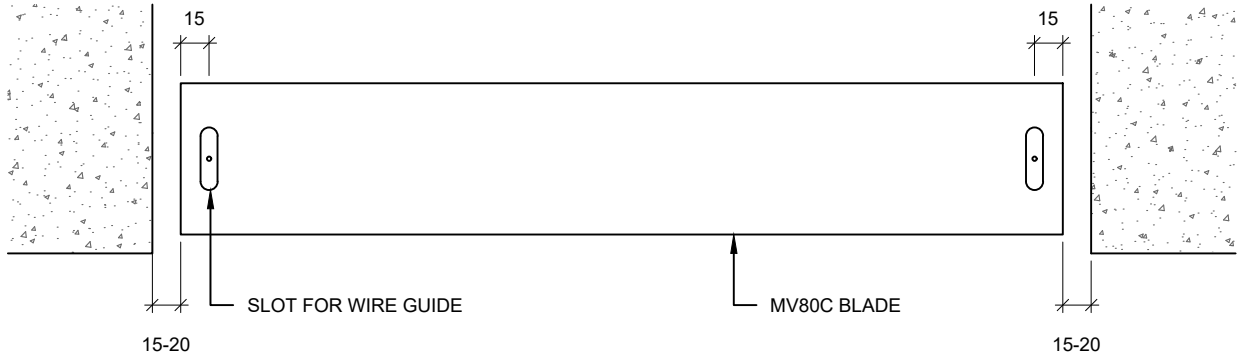


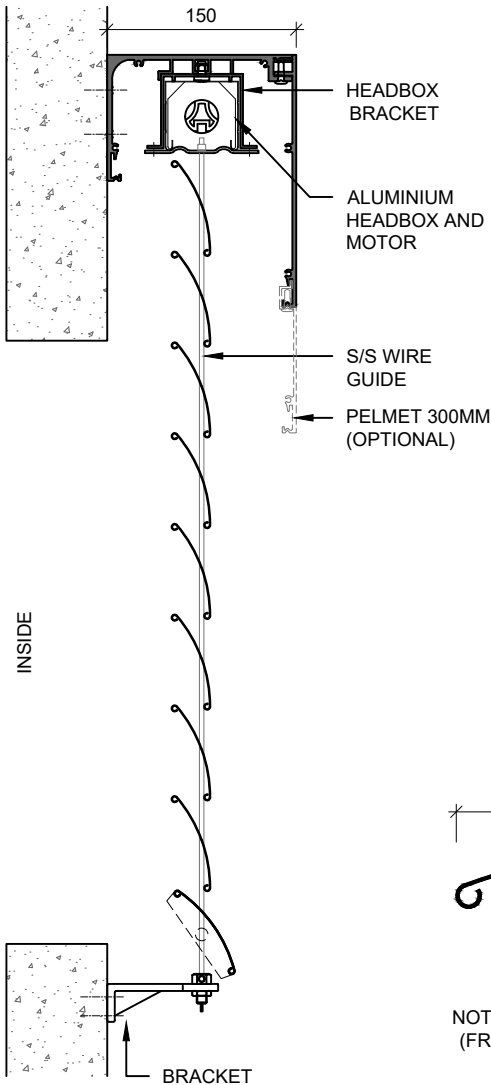
INSIDE



PLAN VIEW

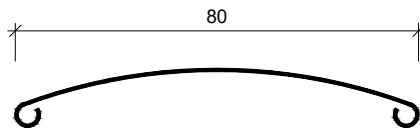
EXTENDED BLIND - FACE FIX
(SHOWN WITH "TYPE 1" PELMET & OPTIONAL EXTENSION)

EXTENDED / RETRACTED BLIND - REVEAL FIX
(SHOWN WITH "TYPE 2" PELMET & OPTIONAL EXTENSION)



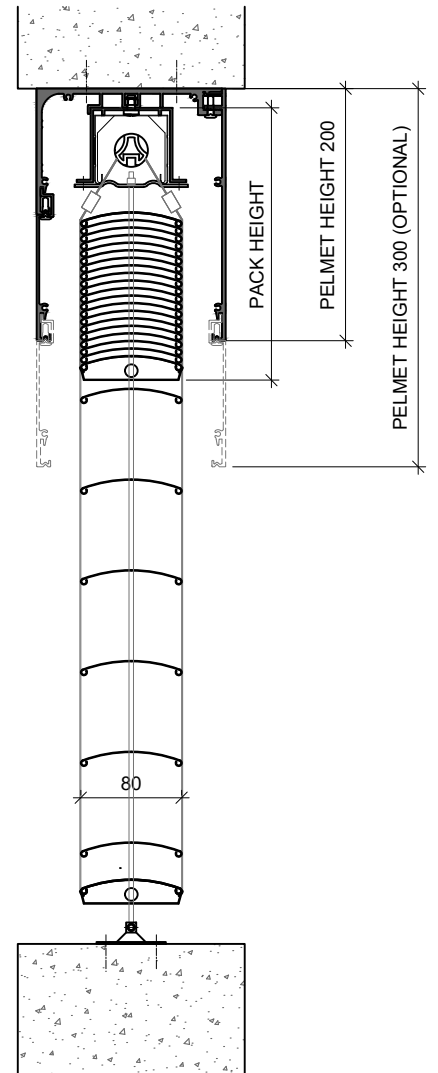
SECTION
(BLADES CLOSED)

BLIND HEIGHT	PACK HEIGHT
750-1000	180
1001-1250	200
1251-1500	220
1501-1750	230
1751-2000	250
2001-2250	260
2251-2500	280
2501-2750	290
2751-3000	300
3001-3250	310
3251-3500	320
3501-3750	340
3751-4000	360



MV80C BLADE

NOTE: BLADES CAN ROTATE THROUGH 135°
(FROM CLOSED TO BEYOND HORIZONTAL)



SECTION
(BLADES OPENED)

**MV80C MAXIM EXTERNAL VENETIAN BLINDS
WITH PELMET AND WIRE GUIDES**

www.maximlouvres.com.au

maxim®
louvres

DWG No.: MV80C - Wire Guides
DWG Date: 19.02.2024