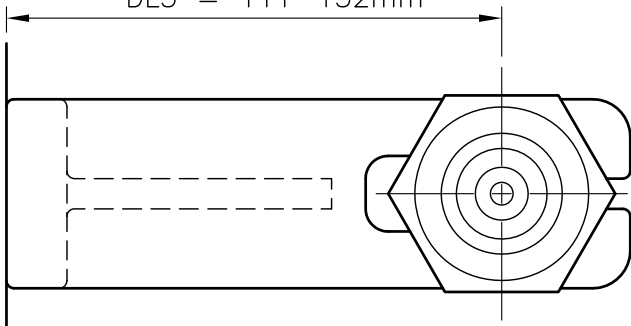
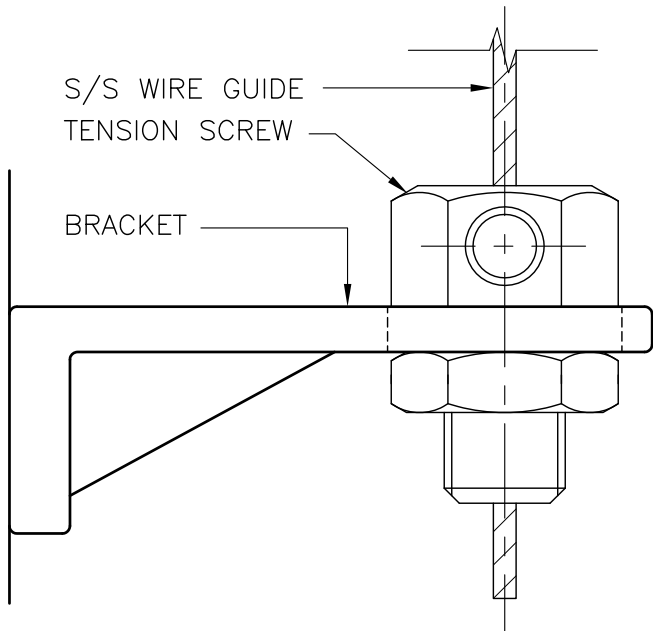


PLAN VIEW

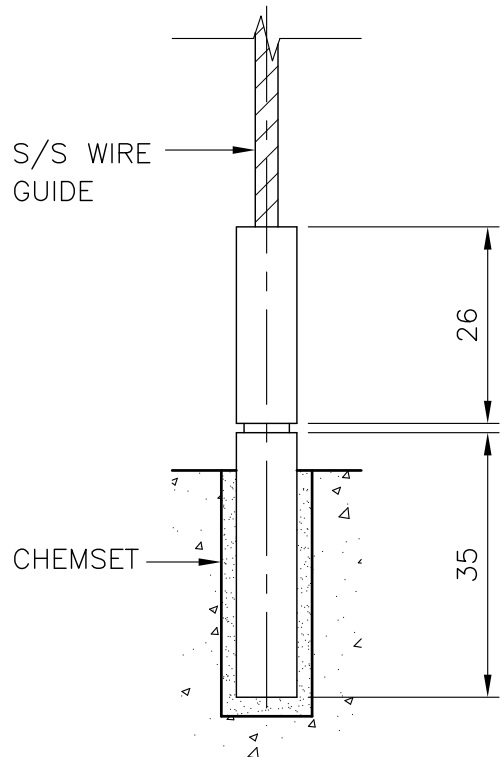
- DL1 = 55-76mm
- DL2 = 83-104mm
- DL3 = 111-132mm



PLAN VIEW



DL BRACKET FITTING
FACE FIXING



SLIMFIX FITTING

MV – EXTERNAL VENETIAN
STAINLESS STEEL
WIRE GUIDE OPTIONS

www.maximlouvres.com.au

maxim
louvres

DWG No.: WIREGUIDES
DWG DATE: 05-09-2011