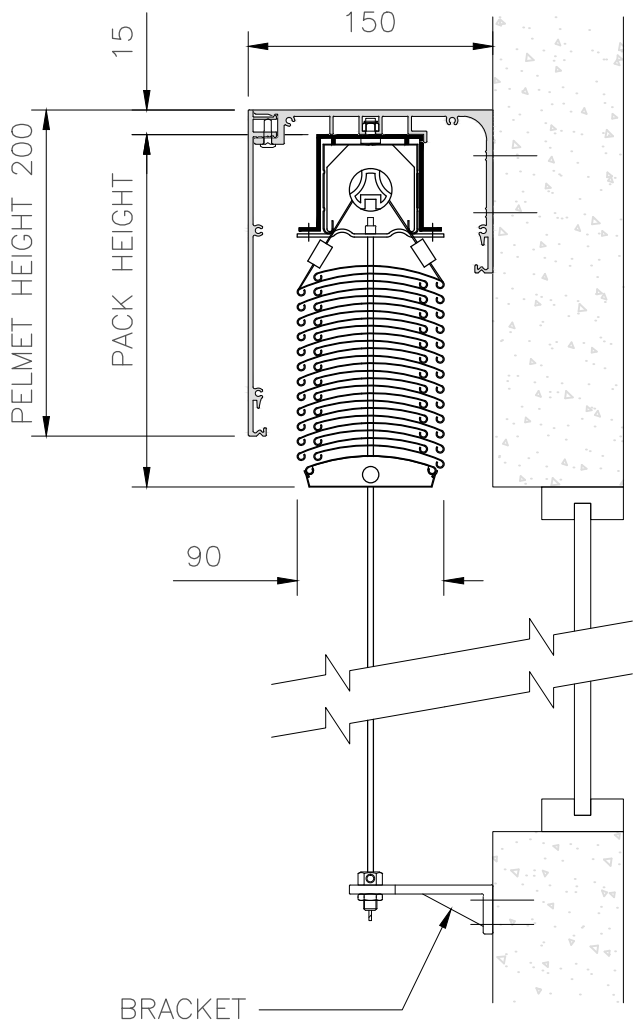
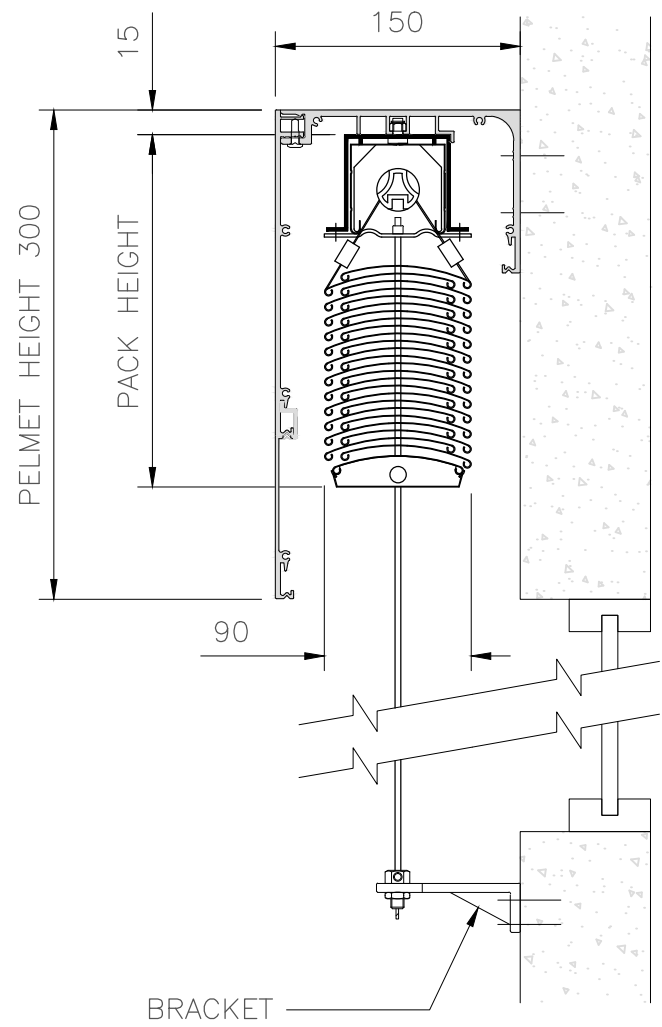


RETRACTED BLIND – FACE FIXED  
(SHOWN WITH 'TYPE 1' PELMET)

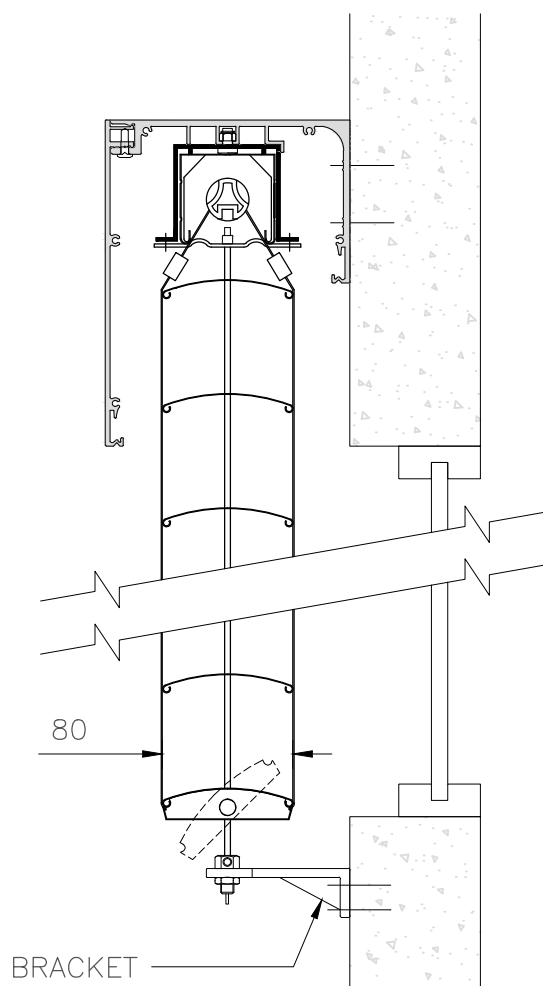


RETRACTED BLIND – FACE FIXED  
(SHOWN WITH 'TYPE 1' PELMET & EXTENSION)



BLIND HEIGHT	PACK HEIGHT
750-1000	160
1001-1250	180
1251-1500	190
1501-1750	210
1751-2000	220
2001-2250	230
2251-2500	240
2501-2750	250
2751-3000	260
3001-3250	270
3251-3500	280
3501-3750	290
3751-4000	300

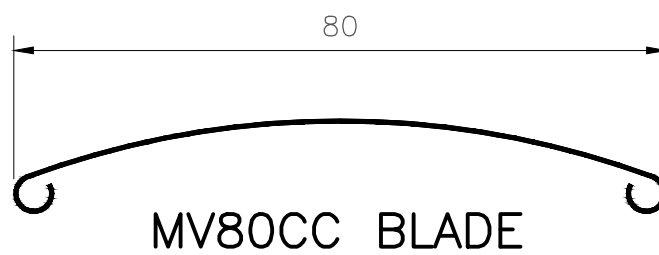
EXTENDED BLIND – FACE FIXED  
(SHOWN WITH 'TYPE 1' PELMET)



EXTENDED BLIND – REVEAL FIXED  
(SHOWN WITH 'TYPE 2' PELMET)

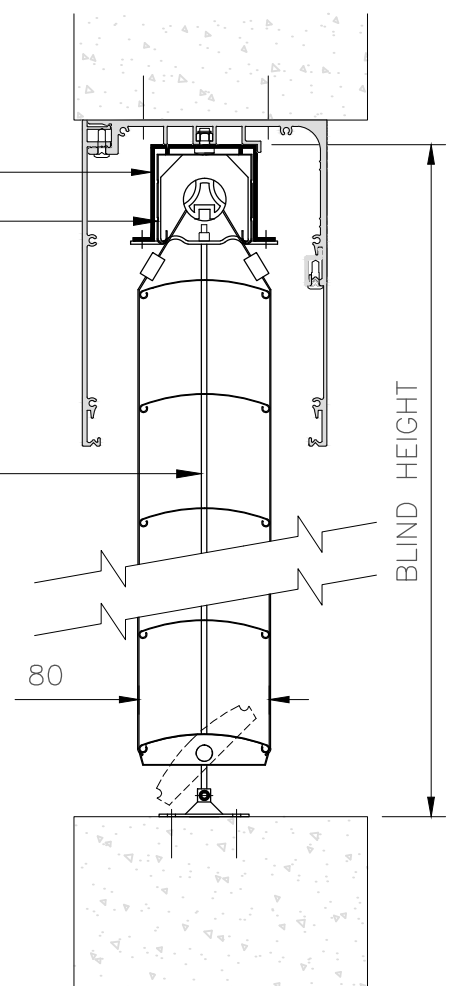
HEADBOX BRACKET  
ALUMINIUM HEADBOX  
AND MOTOR

S/S WIRE GUIDE



MV80CC BLADE

NOTE: BLADE CAN ROTATE THROUGH 90°  
(FROM CLOSED TO BEYOND HORIZONTAL)



MV80CC MAXIM EXTERNAL VENETIAN BLINDS  
WITH PELMET AND WIRE GUIDES  
(REDUCED PACK HEIGHT)

www.maximlouvres.com.au

**maxim**  
louvrés

MV80CC  
DWG No.: WIRE GUIDES  
DWG DATE: 30-JULY-2019