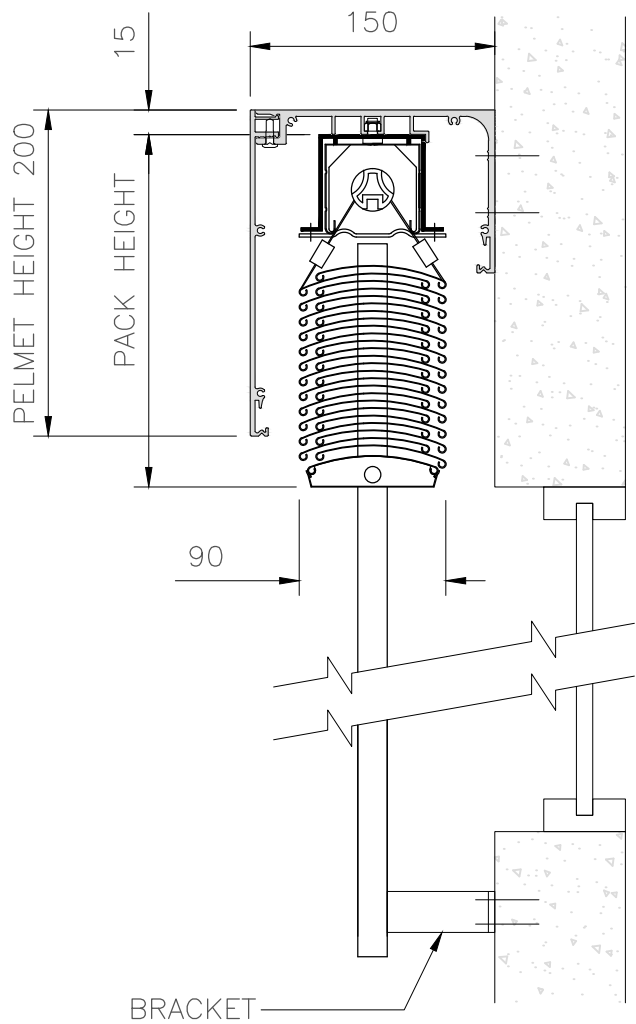
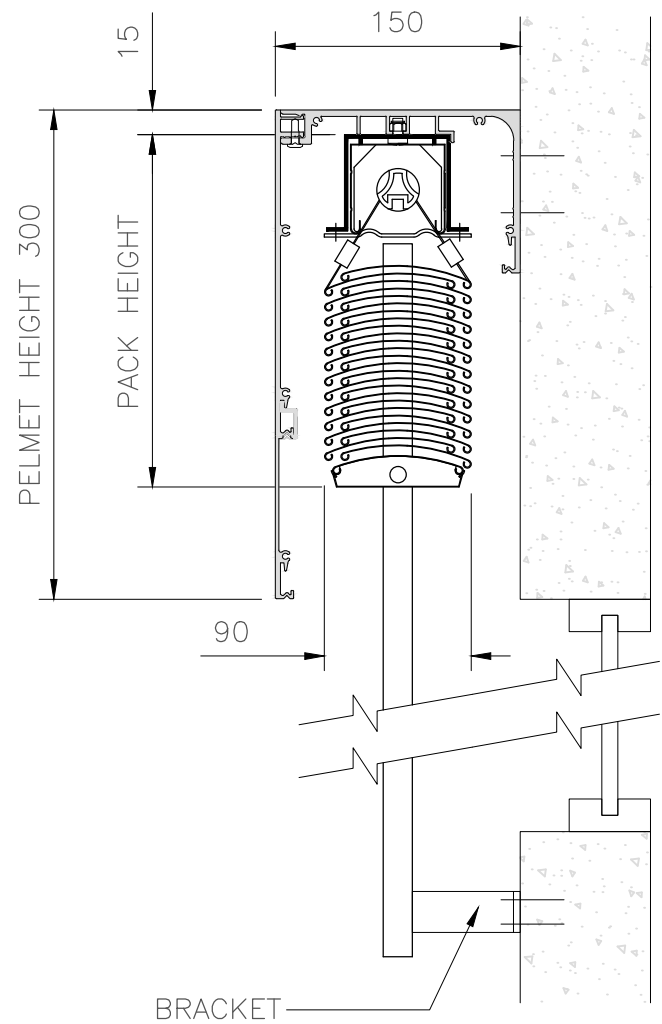


RETRACTED BLIND – FACE FIXED  
(SHOWN WITH 'TYPE 1' PELMET)

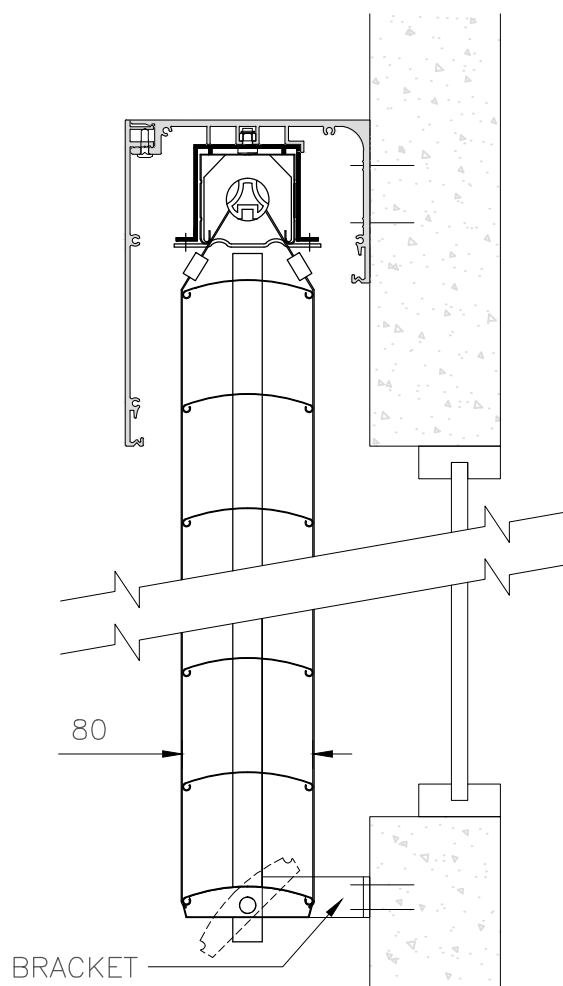


RETRACTED BLIND – FACE FIXED  
(SHOWN WITH 'TYPE 1' PELMET & EXTENSION)

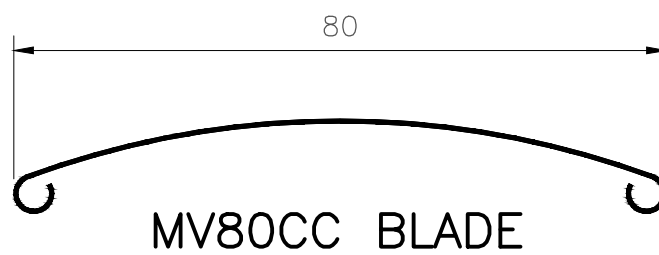
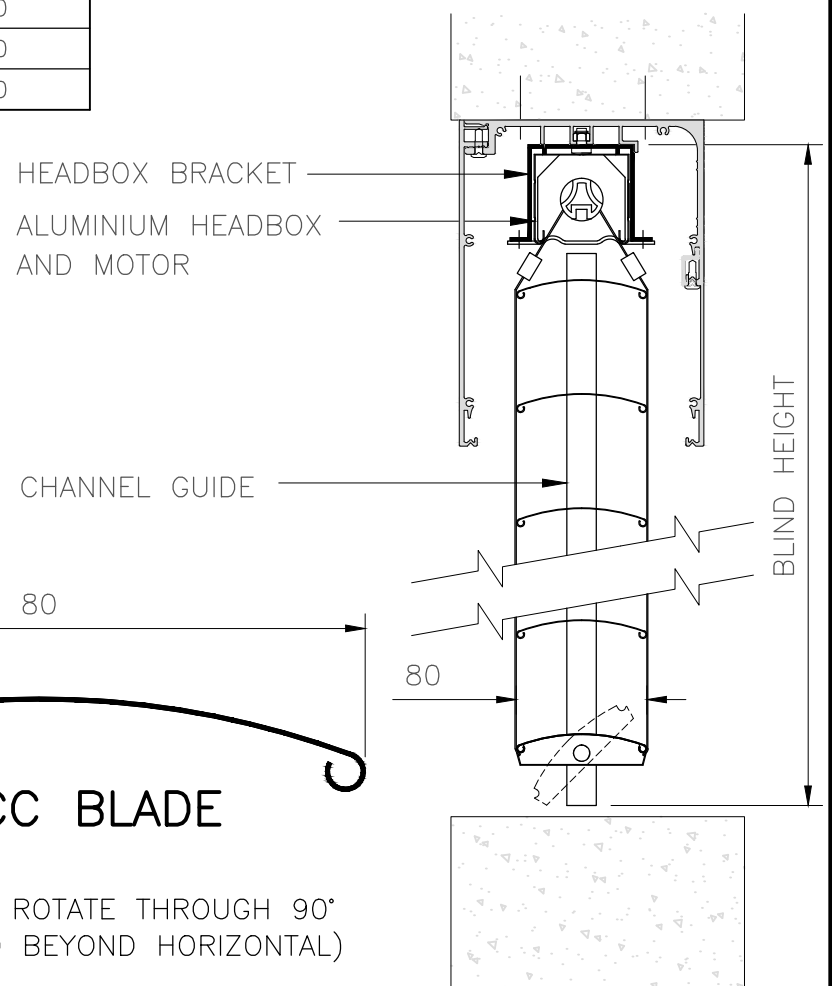


BLIND HEIGHT	PACK HEIGHT
750–1000	160
1001–1250	180
1251–1500	190
1501–1750	210
1751–2000	220
2001–2250	230
2251–2500	240
2501–2750	250
2751–3000	260
3001–3250	270
3251–3500	280
3501–3750	290
3751–4000	300

EXTENDED BLIND – FACE FIXED  
(SHOWN WITH 'TYPE 1' PELMET)



EXTENDED BLIND – REVEAL FIXED  
(SHOWN WITH 'TYPE 2' PELMET)



NOTE: BLADE CAN ROTATE THROUGH 90°  
(FROM CLOSED TO BEYOND HORIZONTAL)

MV80CC MAXIM EXTERNAL VENETIAN BLINDS  
WITH PELMET AND CHANNEL GUIDES  
(REDUCED PACK HEIGHT)

www.maximlouvres.com.au

**maxim**  
louvres

MV80CC  
DWG No.: CHANNEL GUIDES  
DWG DATE: 30-JULY-2019