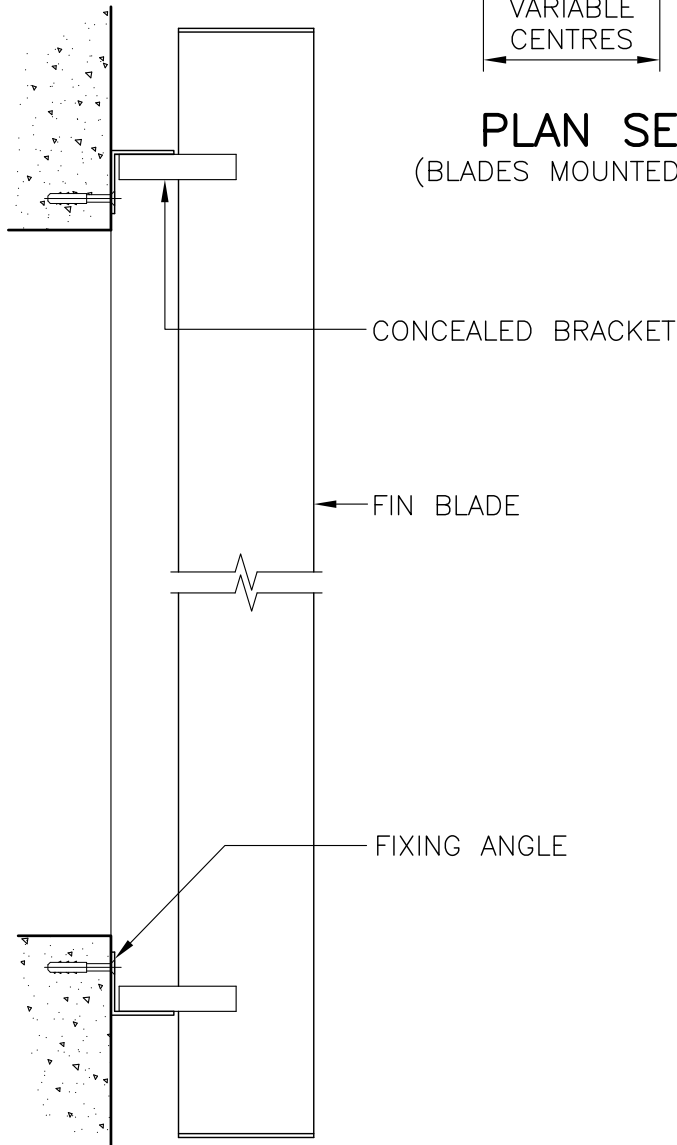
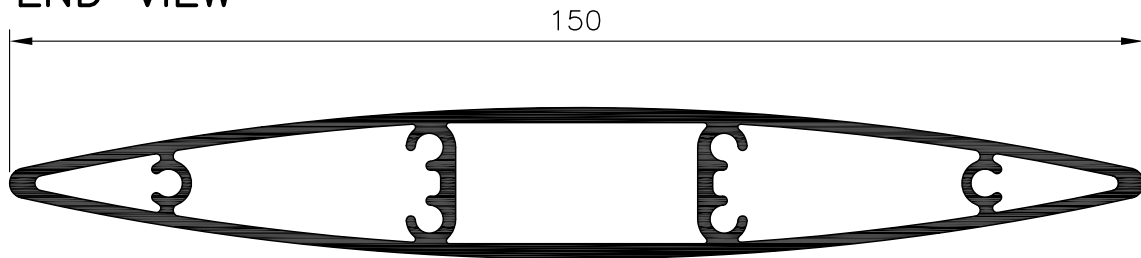


**PLAN SECTION**  
(BLADES MOUNTED VERTICALLY)



**END VIEW**



**MF150 BLADE**

**MF150**  
**ELLIPTICAL FIN – CONTINUOUS**

BLADES CAN ALSO BE MOUNTED HORIZONTALLY  
ALSO AVAILABLE FOR MF90, 200, 300, 400, 600 AND 800

[www.maximlouvres.com.au](http://www.maximlouvres.com.au)

**maxim**  
louvres

DWG No.: MF150-CONTINUOUS  
DWG DATE: 03-02-2011