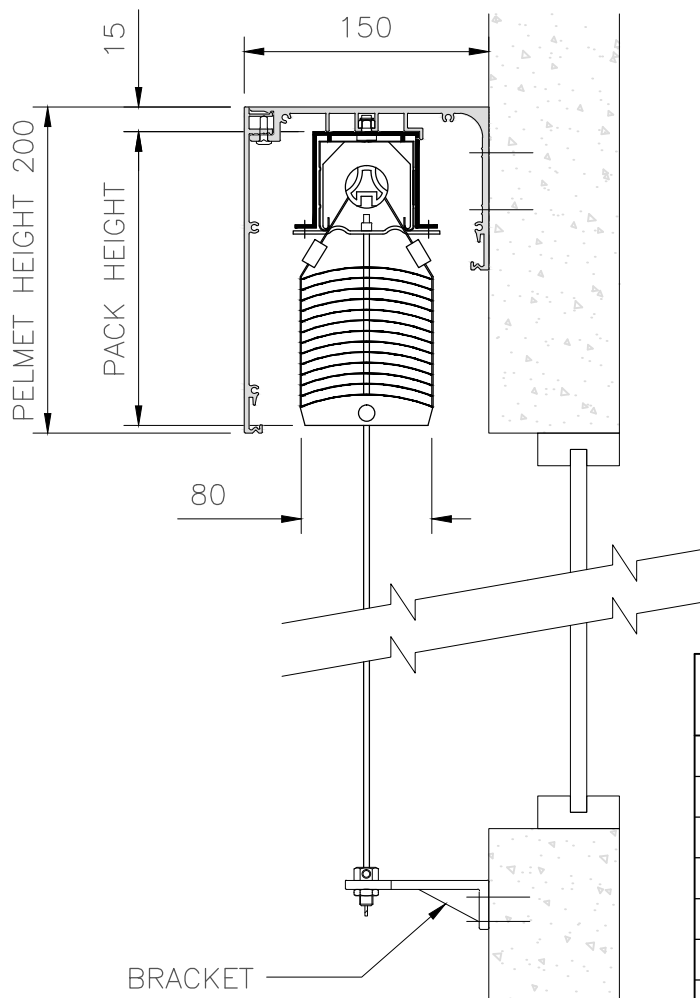
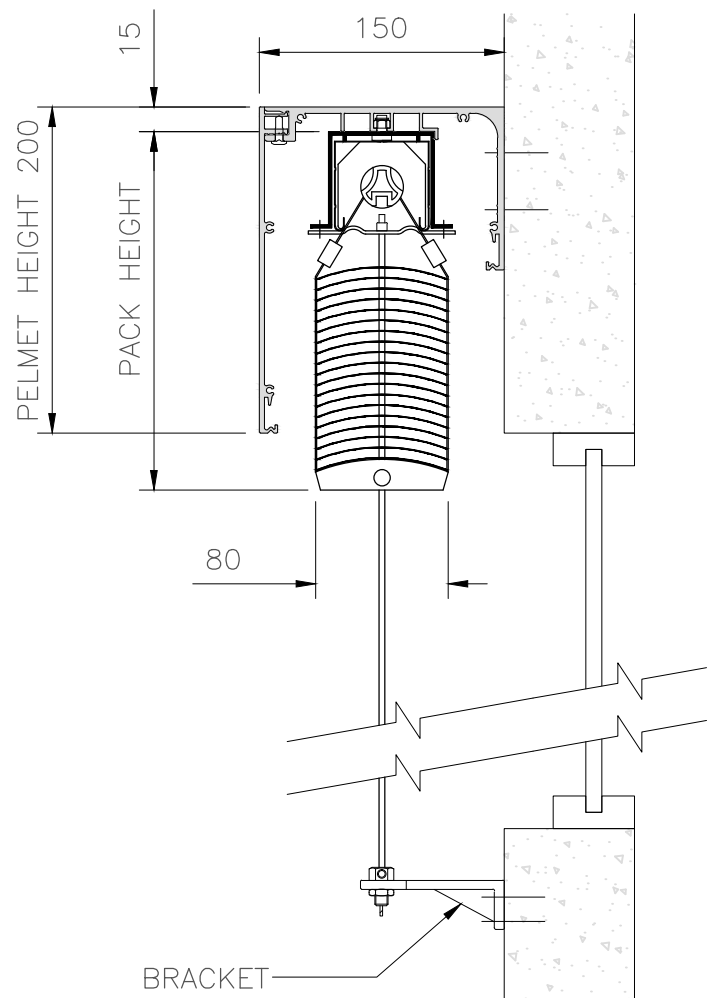


RETRACTED BLIND – FACE FIXED
(SHOWN WITH 'TYPE 1' PELMET)

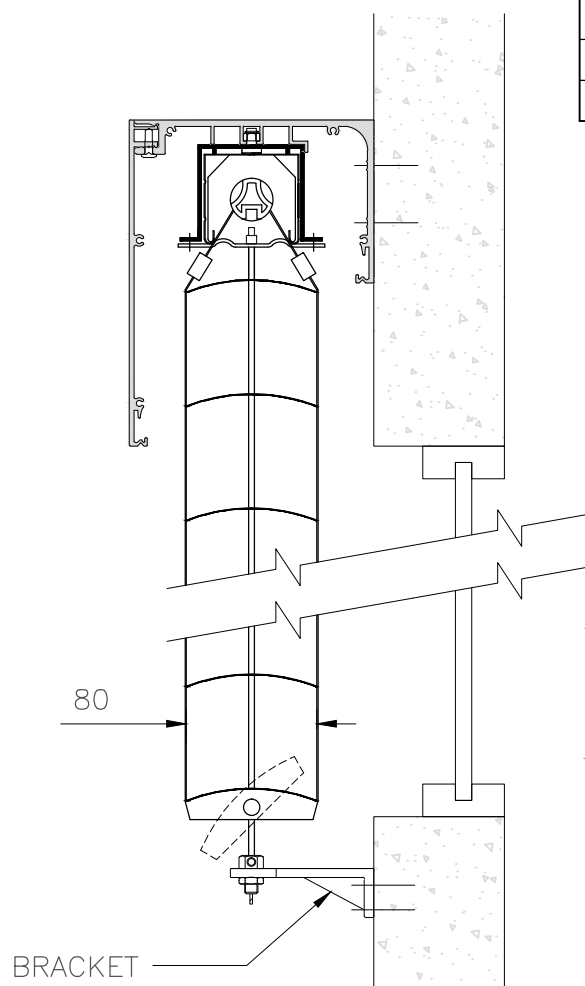


RETRACTED BLIND – FACE FIXED
(SHOWN WITH 'TYPE 1' PELMET & EXTENSION)

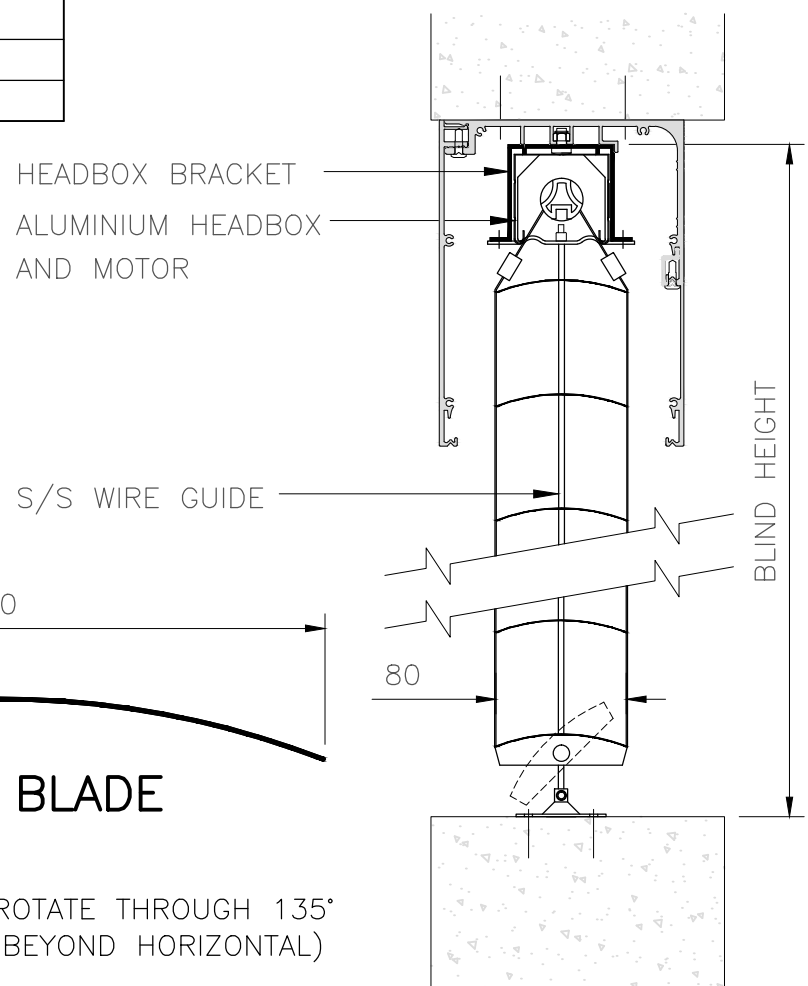


BLIND HEIGHT	PACK HEIGHT
250–500	130
501–750	135
751–1000	145
1001–1250	150
1251–1500	160
1501–1750	165
1751–2000	175
2001–2250	180
2251–2500	190
2501–2750	195
2751–3000	205
3001–3250	210
3251–3500	220
3501–3750	225
3751–4000	230

EXTENDED BLIND – FACE FIXED
(SHOWN WITH 'TYPE 1' PELMET)



EXTENDED BLIND – REVEAL FIXED
(SHOWN WITH 'TYPE 2' PELMET)



MV80F BLADE

NOTE: BLADE CAN ROTATE THROUGH 135°
(FROM CLOSED TO BEYOND HORIZONTAL)

MV80F MAXIM EXTERNAL VENETIAN BLINDS
WITH PELMET AND WIRE GUIDES

www.maximlouvres.com.au

maxim
louvres

MV80F
DWG No.: WIRE GUIDES
DWG DATE: 30-JULY-2019