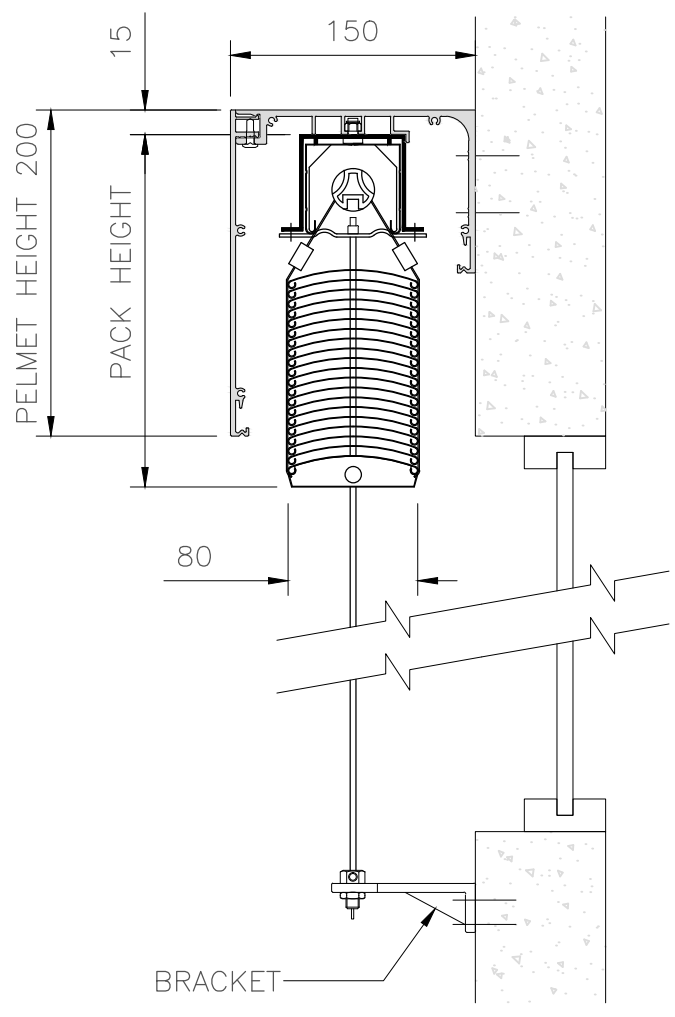
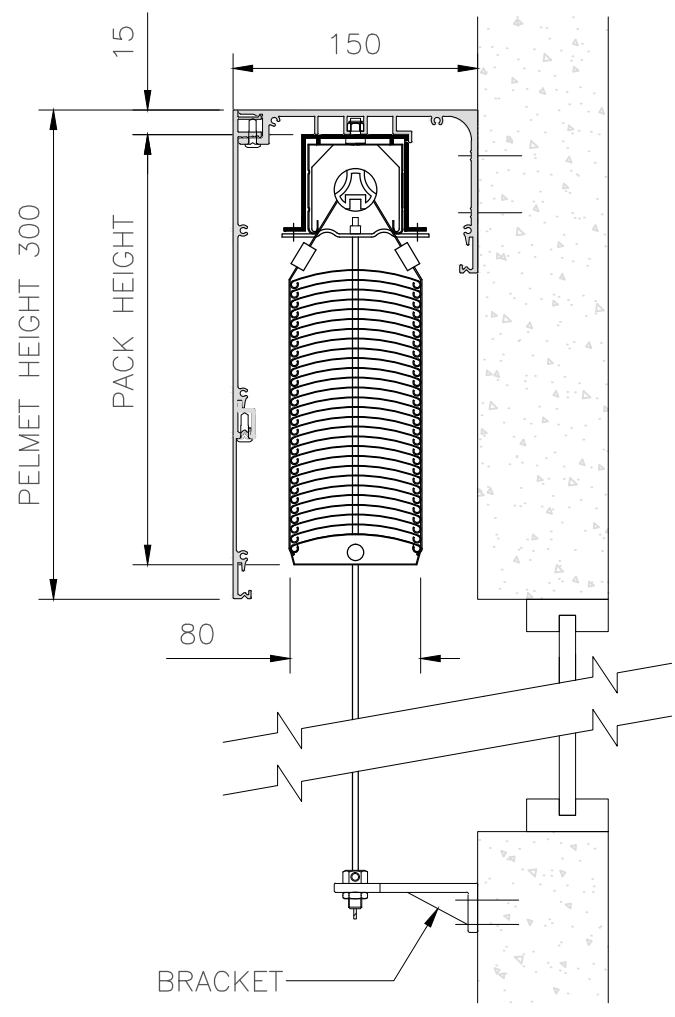


RETRACTED BLIND – FACE FIXED
(SHOWN WITH 'TYPE 1' PELMET)

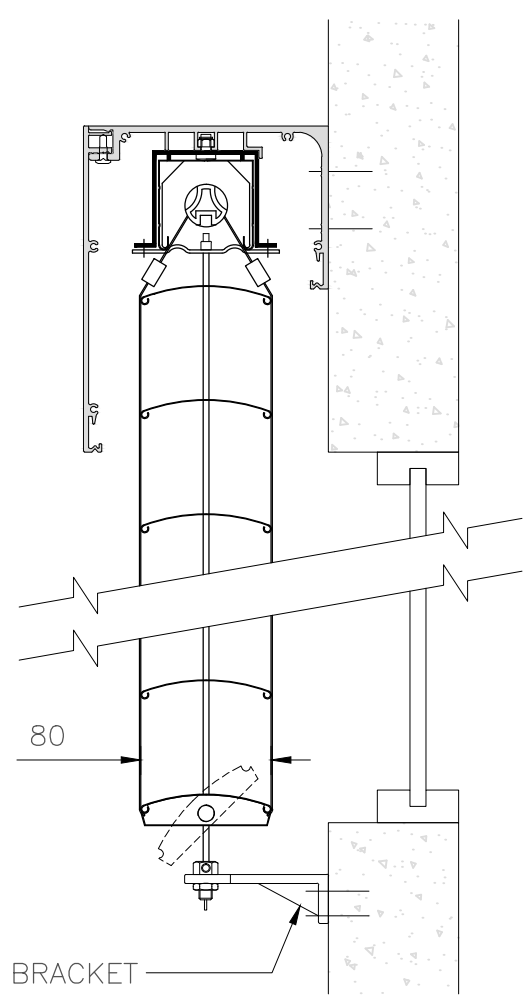


RETRACTED BLIND – FACE FIXED
(SHOWN WITH 'TYPE 1' PELMET & EXTENSION)



BLIND HEIGHT	PACK HEIGHT
750-1000	180
1001-1250	200
1251-1500	220
1501-1750	230
1751-2000	250
2001-2250	260
2251-2500	280
2501-2750	290
2751-3000	300
3001-3250	310
3251-3500	320
3501-3750	340
3751-4000	360

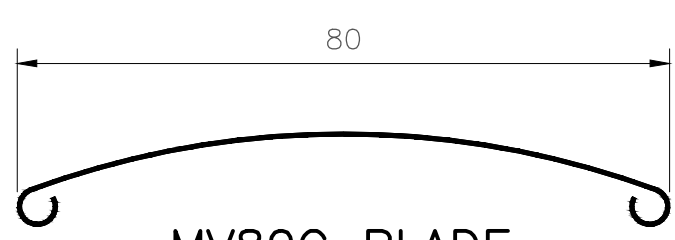
EXTENDED BLIND – FACE FIXED
(SHOWN WITH 'TYPE 1' PELMET)



EXTENDED BLIND – REVEAL FIXED
(SHOWN WITH 'TYPE 2' PELMET)

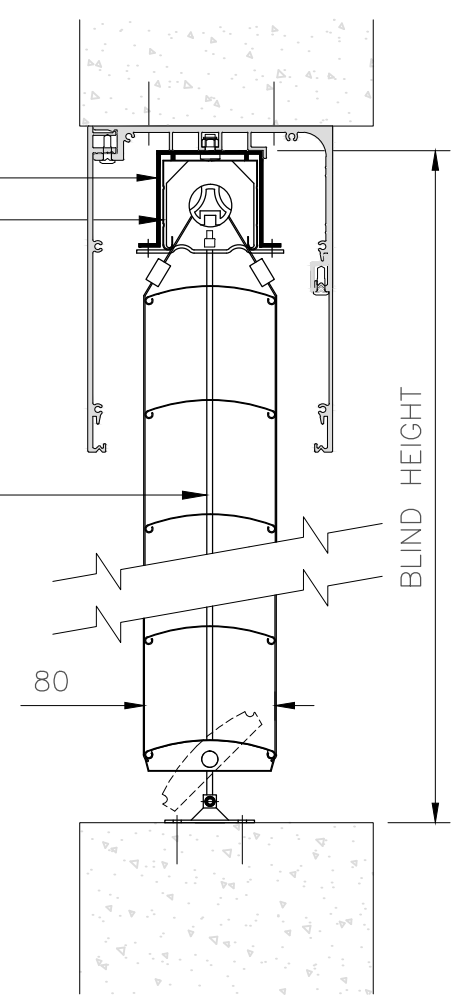
HEADBOX BRACKET
ALUMINIUM HEADBOX
AND MOTOR

S/S WIRE GUIDE



MV80C BLADE

NOTE: BLADE CAN ROTATE THROUGH 135°
(FROM CLOSED TO BEYOND HORIZONTAL)



MV80C MAXIM EXTERNAL VENETIAN BLINDS
WITH PELMET AND WIRE GUIDES

www.maximlouvres.com.au

maxim
louvres

MV80C
DWG No.: WIRE GUIDES
DWG DATE: 30-JULY-2019