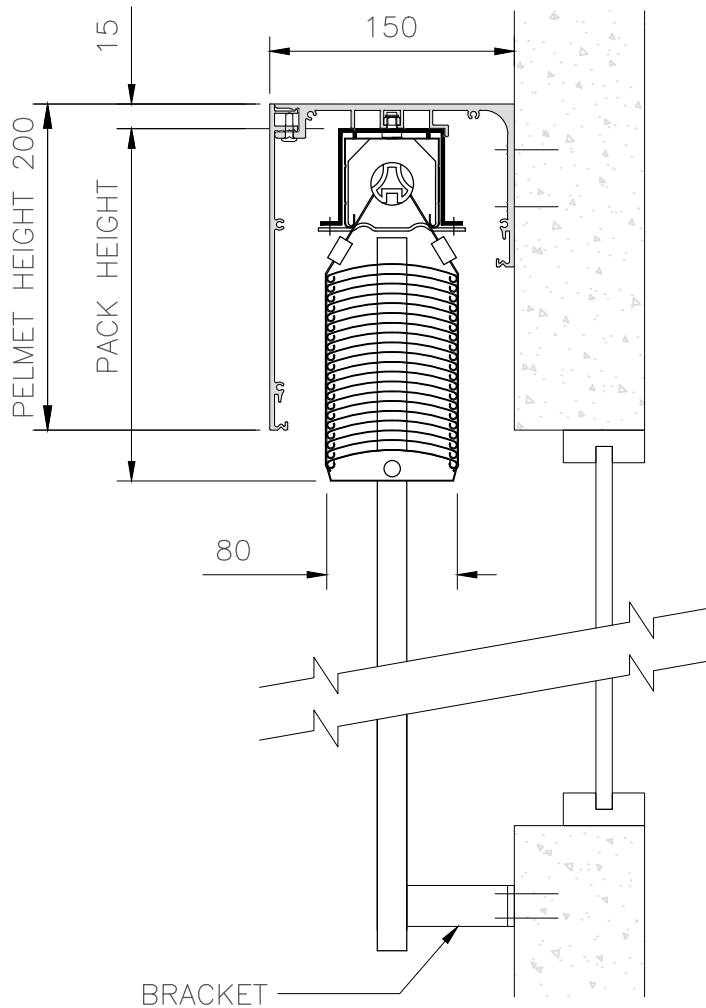
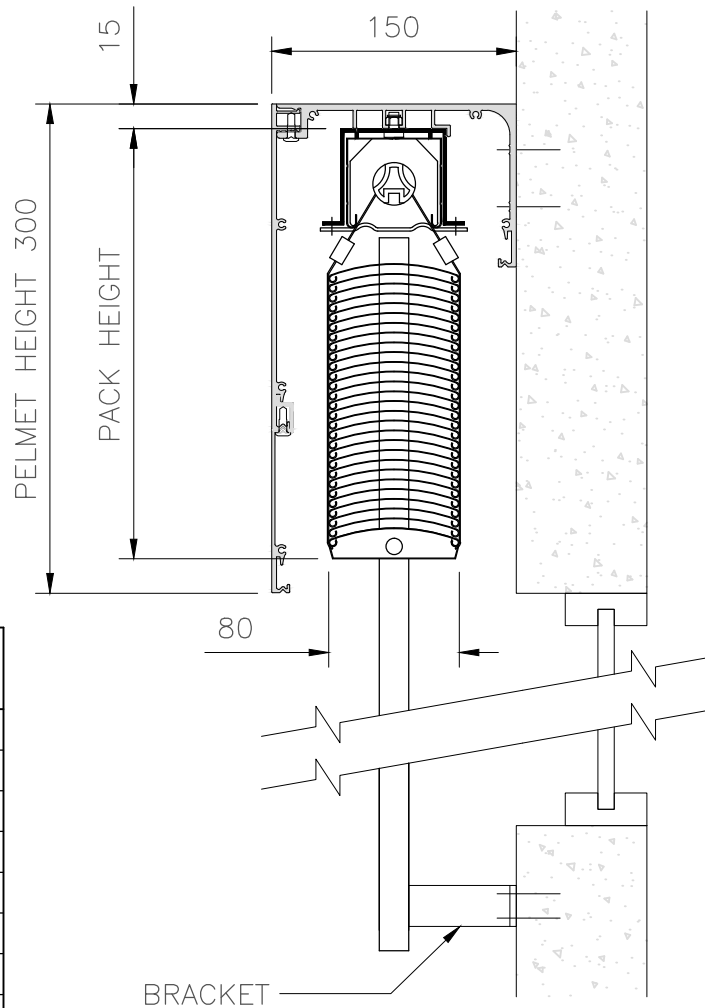


RETRACTED BLIND – FACE FIXED
(SHOWN WITH 'TYPE 1' PELMET)

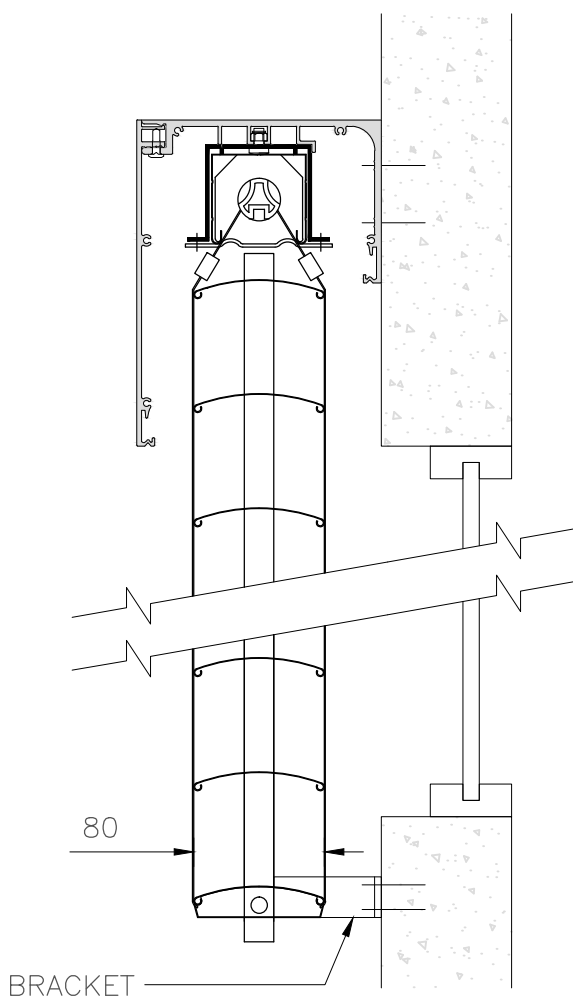


RETRACTED BLIND – FACE FIXED
(SHOWN WITH 'TYPE 1' PELMET & EXTENSION)

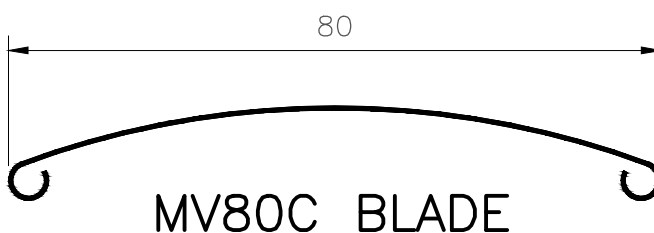
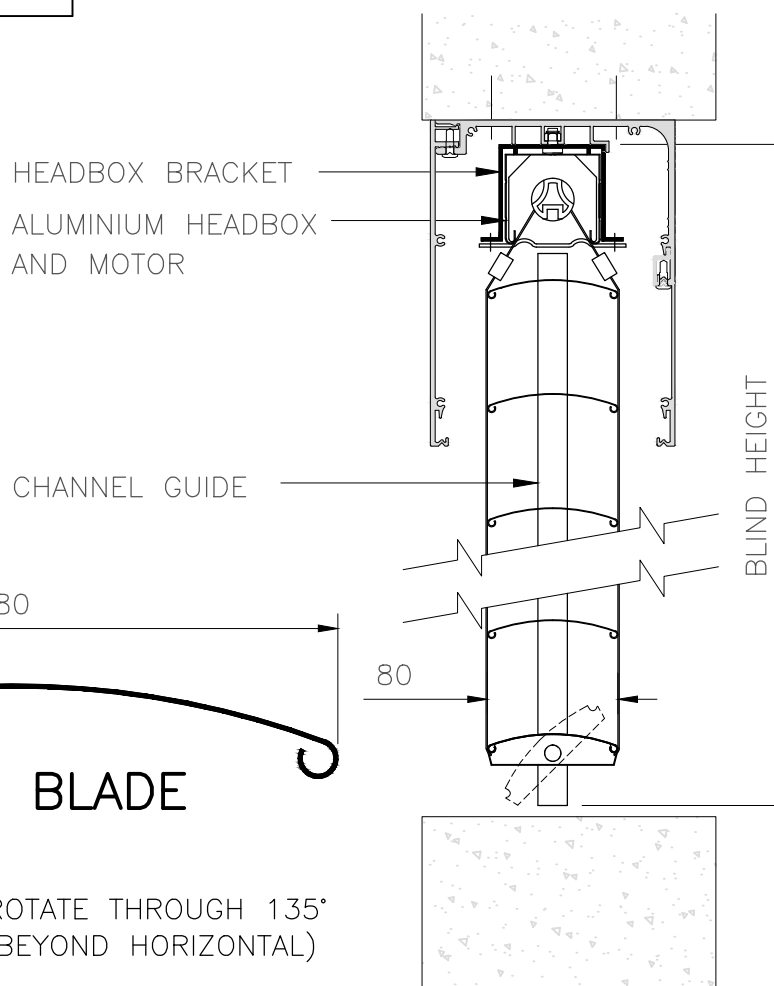


BLIND HEIGHT	PACK HEIGHT
750–1000	180
1001–1250	200
1251–1500	220
1501–1750	230
1751–2000	250
2001–2250	260
2251–2500	280
2501–2750	290
2751–3000	300
3001–3250	310
3251–3500	320
3501–3750	340
3751–4000	360

EXTENDED BLIND – FACE FIXED
(SHOWN WITH 'TYPE 1' PELMET)



EXTENDED BLIND – REVEAL FIXED
(SHOWN WITH 'TYPE 2' PELMET)



NOTE: BLADE CAN ROTATE THROUGH 135°
(FROM CLOSED TO BEYOND HORIZONTAL)

MV80C MAXIM EXTERNAL VENETIAN BLINDS
WITH PELMET AND CHANNEL GUIDES

www.maximlouvres.com.au

maxim
MV80C
DWG No.: CHANNEL GUIDES
DWG DATE: 30-JULY-2019
louvres