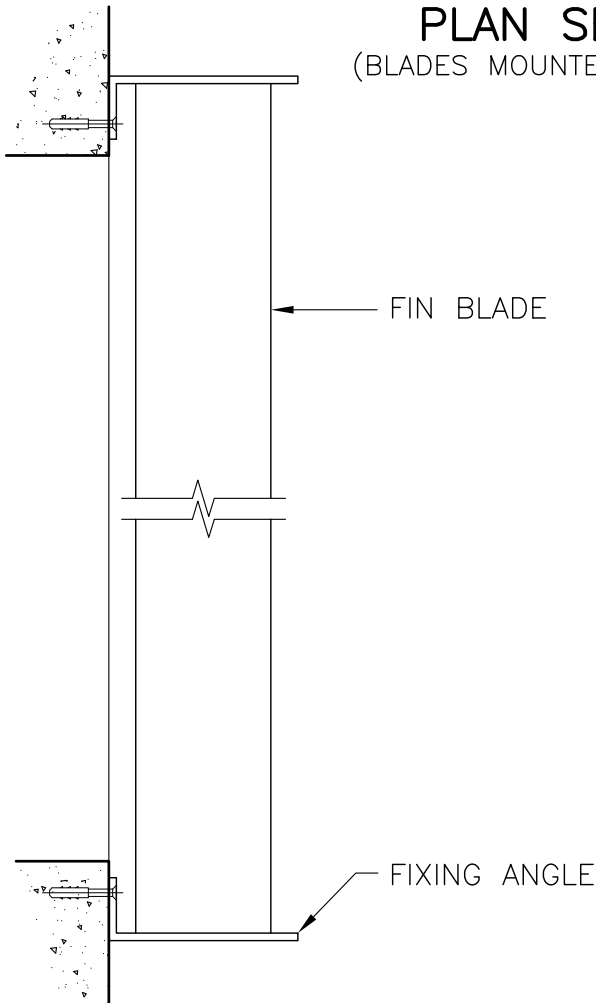
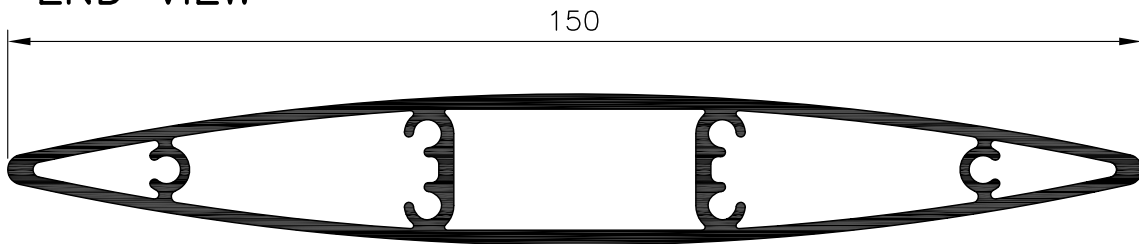


PLAN SECTION
(BLADES MOUNTED VERTICALLY)



END VIEW



MF150 BLADE

MF150

ELLIPTICAL FIN – END FIXED

BLADES CAN ALSO BE MOUNTED HORIZONTALLY

ALSO AVAILABLE FOR MF90, 200, 300, 400, 600 AND 800

www.maximlouvres.com.au

maxim
louvres

DWG No.: MF150-ENDFIXED
DWG DATE: 03-02-2011