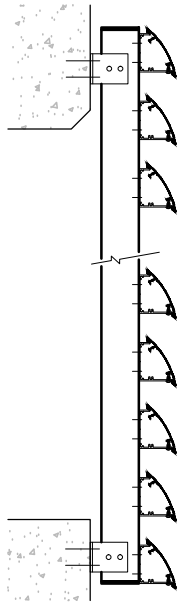
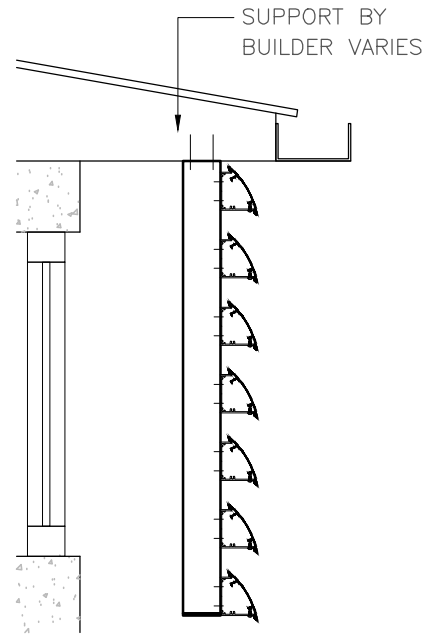


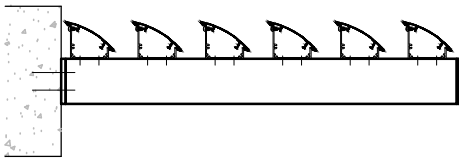
OPTION A



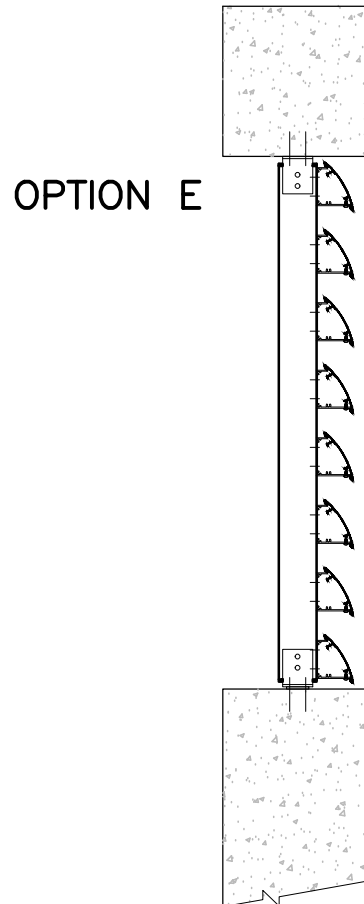
OPTION B



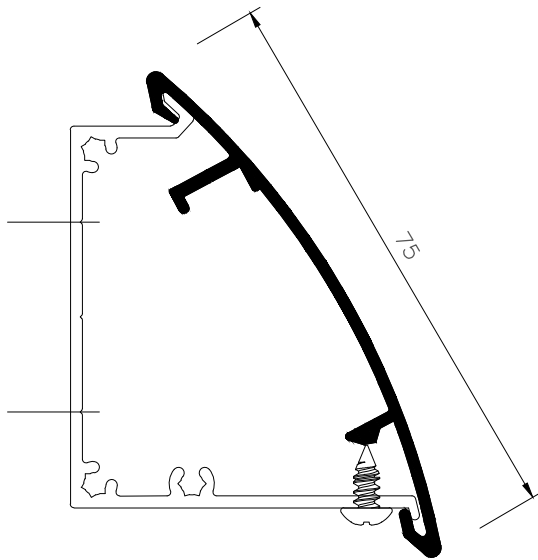
OPTION C



OPTION D



OPTION E



MC75 LOUVRE
(WITH MOUNTING BRACKET)

FIXING BRACKETS AND FIXINGS VARY ACCORDING TO LOCATION AND WIND LOADS

**MC75F MAXIM CONTINUOUS FIXED LOUVRES
INSTALLATION OPTIONS**