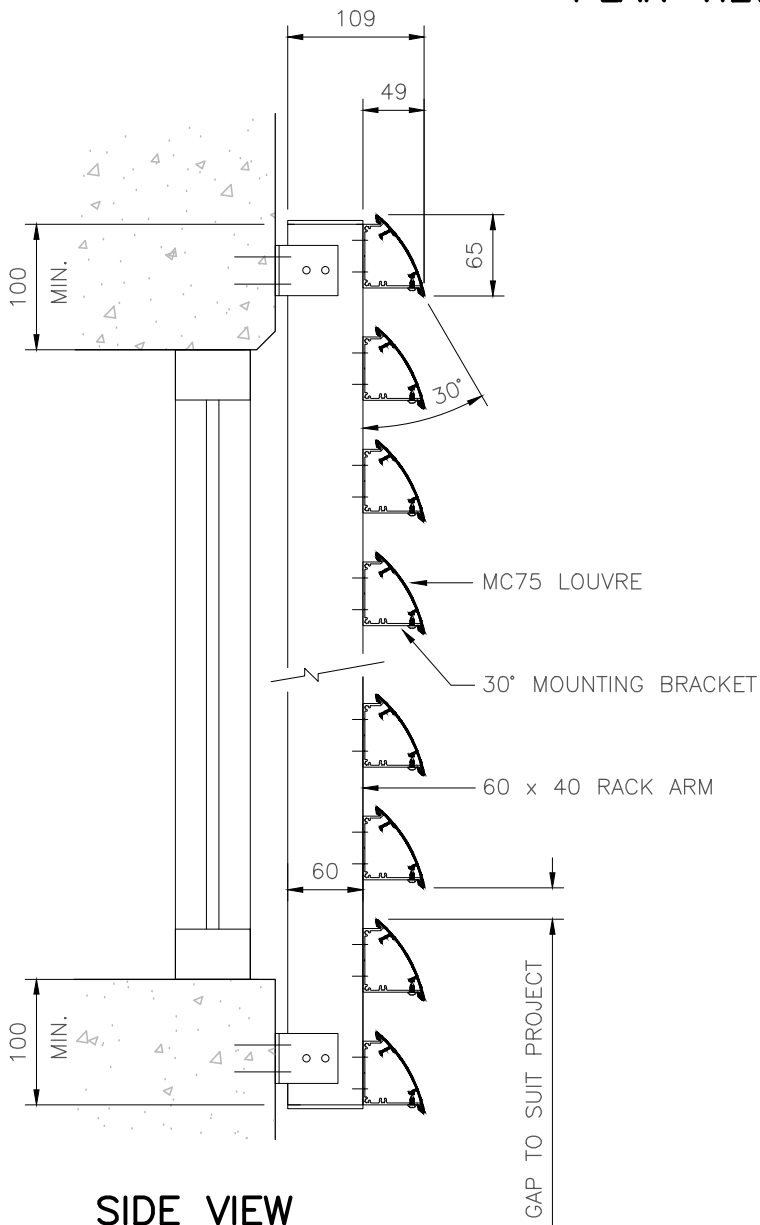
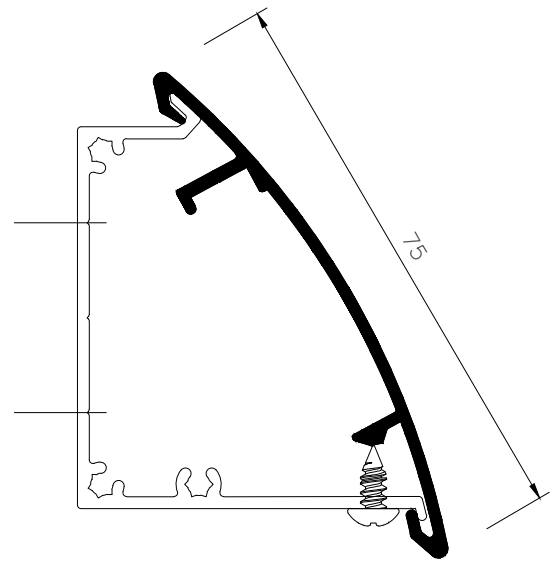


PLAN VIEW



SIDE VIEW



MC75 LOUVRE
(WITH MOUNTING BRACKET)

FIXING BRACKETS AND FIXINGS VARY ACCORDING TO LOCATION AND WIND LOADS

MC75F MAXIM CONTINUOUS FIXED LOUVRES
AT 30° TO RACK ARM
FACE FIXED

www.maximlouvres.com.au

maxim
louvres

DWG No.: MC75 FIXED 30° FF
DWG DATE: 02-April-2020