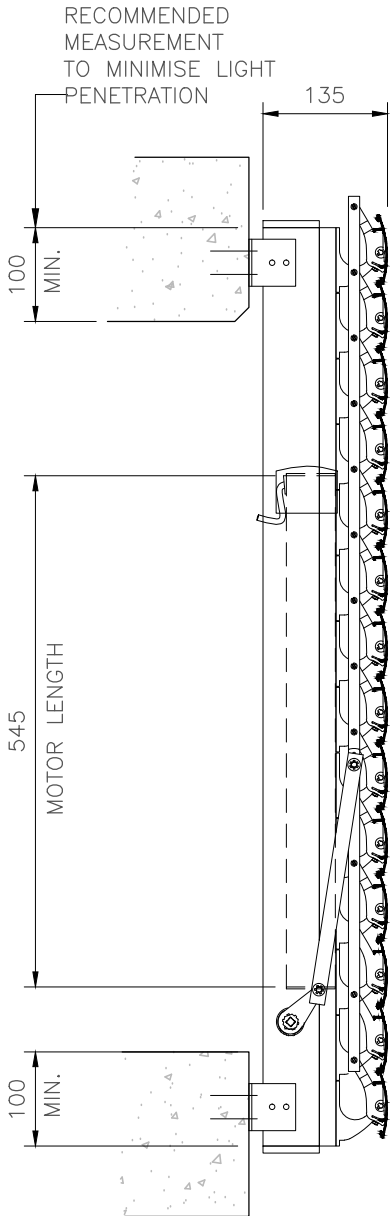
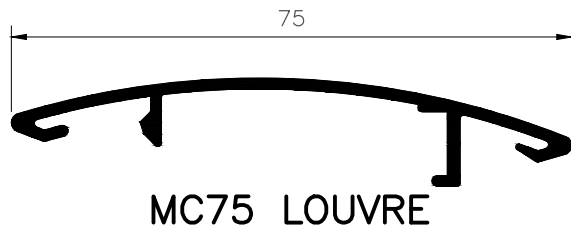


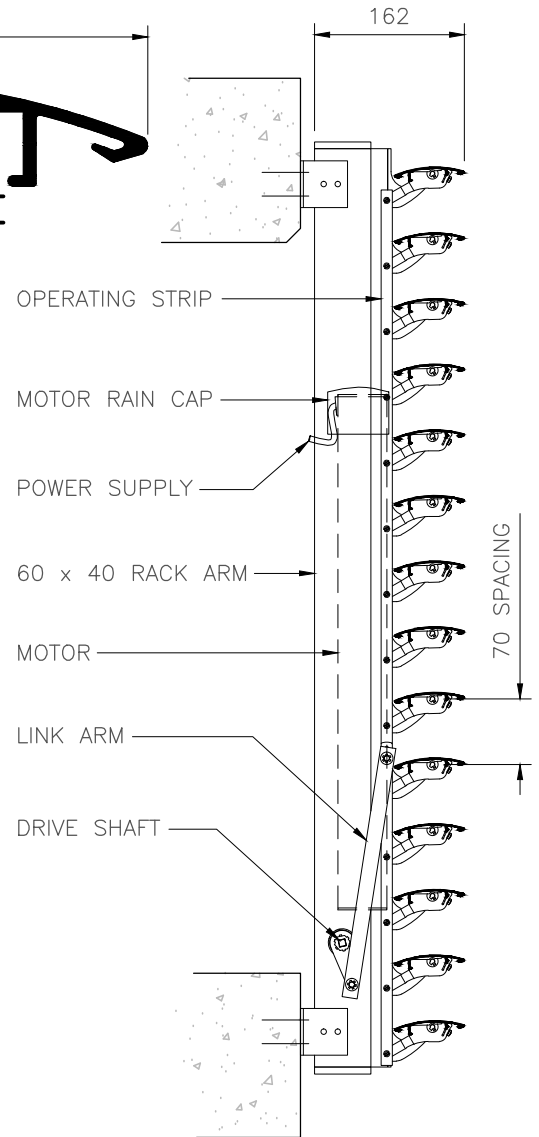
PLAN VIEW



SIDE VIEW
(LOUVRES CLOSED)



MC75 LOUVRE



SIDE VIEW
(LOUVRES OPEN)

FIXING BRACKETS AND FIXINGS VARY ACCORDING TO LOCATION AND WIND LOADS

MC75 MAXIM CONTINUOUS LOUVRES
MOTORISED – FACE FIXED

www.maximlouvres.com.au

maxim
louvres

DWG No.: MC75 MOTOR FF
DWG DATE: 02-April-2020